



astria
FIREPLACES



CRAFTSMAN ST WOOD BURNING FIREPLACES

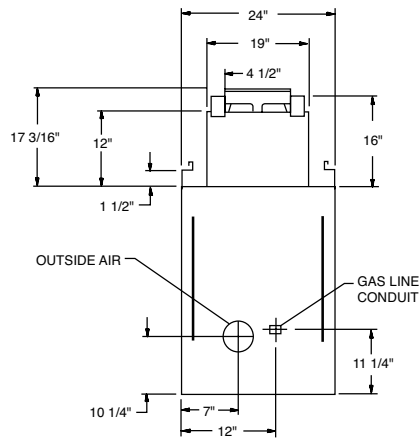
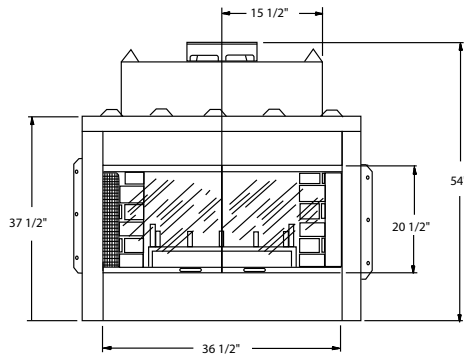
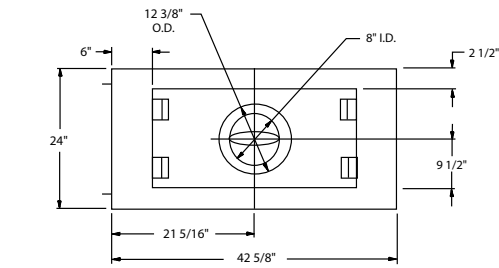
TRULY TIMELESS

Traditional
Fireplace Design Collection

EXCLUSIVE FEATURES

- ◆ Two sided see-through design for the perfect fire presentation
- ◆ Uses IHP 8DM double wall wood burning chimney
- ◆ Durable powder-coat finish scratch resistant surfaces and carefree handling
- ◆ Standard fuel grate, damper and mesh screens
- ◆ White stacked refractory liners
- ◆ Limited lifetime warranty

APPLIANCE SPECIFICATIONS



IMPORTANT NOTES:

As with any heating appliance, fireplace or stove, this appliance is extremely hot during operation. Read and understand all operating instructions before using this appliance. For further information, consult your dealer. Local conditions, such as elevation, wind, vent configuration and choice of fuel will affect overall appearance of the fire and heating performance. Performance can also vary with home design and insulation, climate, condition and type of fuel used, appliance location, burn rate, accessories chosen, chimney installation and how the appliance is operated.

Diagrams, illustrations and photographs are not to scale—consult installation instructions. Product designs, materials, dimensions, specifications, colors and prices are subject to change or discontinuance without notice.

astria
FIREPLACES™

© 2014 Innovative Hearth Products

785492M 04/14

APPLIANCE OPTIONS

Wood Nooks

Bi-fold Glass doors

Premium trim

Premium door facades

Fan (louvered model only)



White Stacked



White Herringbone



Glass bi-fold doors



Black



Brushed Brass



Platinum



Round-Top Nook



Dog-House Nook

FRAMING SPECIFICATIONS

CRAFTSMAN SEE-THROUGH

WIDTH 44-5/8"

HEIGHT 54-1/4"

DEPTH 22-3/4"

Visit us online



www.astria.us.com

