

33 Elite Plus Wood Burning Fireplace Insert



Shadowbox™ face with concealed convection grills and single piece surround panel.



Classic Arch™ gracefully arched black painted face.

Turn Your Old Inefficient Fireplace Into A Reliable Source of Heat!

The 33 Elite Plus wood burning fireplace insert can convert your wasteful masonry or zero clearance fireplace into an excellent heat source that can provide reliable heat at a fraction of the cost of electricity or oil. Not only is heating with wood affordable, it is extremely efficient when utilizing the clean burning, non-catalytic technology found in the 33 Elite. With a five-sided convection chamber and standard twin 90 CFM fans, this insert is designed to deliver the maximum heat output from the wood you burn. It has the ability to heat up to 2,000 square feet for up to 10 hours on a single load of wood. The ultra-efficient 33 Elite Plus boasts 76.9% efficiency and an EPA certified 4.4 grams of emissions per hour.

Easy To Live With

Operation is as easy as a push of a button. A single air control allows you to set the fire to your desired setting. The 33 Elite is also one of the only wood burning inserts to feature a bypass damper that lets you open the flue before starting or reloading your wood making fire start-up a snap and preventing smoke spillage into your home.

American Made!

The 33 Elite Plus fireplace insert is premium quality with a long lasting value. The insert is American made and created out of only the highest quality materials such as heavy gauge steel (up to 5/16" thick), unibody firebox, real masonry brick, one piece seamless flue and stainless steel baffle and air tubes. All of this contributes to the durability and longevity of the product which is backed by Fireplace Xtordinaire's "Real World" Seven Year warranty.



The Revolutionary Igniter Option

Starting your wood insert has never been easier! Much like Charles Kettering's invention of the electric automobile ignition 100 years ago, the GreenStart igniter system has evolved the ignition of fire in a spectacular way and has become the greatest innovation in wood heating in over 100 years.

Push A Button



Start Your Fire



30 Seconds

Hot surface igniter blows 1400 degree heated air into firebox igniting the wood.



6 Minutes

Igniter shuts down and blower continues to push air acting as a bellows to fan the fire.



15 Minutes

Blower shuts down. Homeowner adjusts damper and air controls to maintain fire.

Use your Smart Phone QR Reader to watch a video on the GreenSmart Igniter



For Rectangular Door Insert

Black Painted Shadowbox™ face with concealed convection grills and single piece surround panel.



Bronze Painted Shadowbox™ face with concealed convection grills and single piece surround panel.



Universal face with convection grills



Metropolitan™ face with convection grills



For Arched Door Insert

Classic Arch™ gracefully arched black painted face.

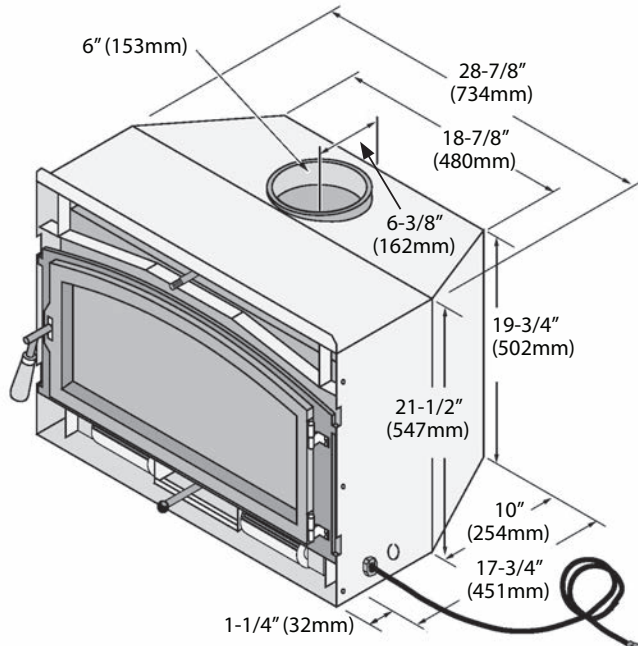


Artisan™ hand-forged, hand-hammered iron face.



33 ELITE PLUS WOOD BURNING FIREPLACE INSERT

EPA Phase II Approved 4.4 Grams/Hour	Maximum Btu's Per Hour 73,300	Overall Efficiency 76.9%	Heating Capacity 1,200 to 2,000 Sq. Ft.*	Up To 10 Hour Burn Time	Accepts Wood Up To 24"	2.2 Cubic Foot Firebox	Heavy Gauge Plate Steel Construction 5/16" & 1/4"	Kiln-Fired Masonry Lined Firebox and Baffle	Twin 90 CFM Convection Blowers Standard
---	----------------------------------	-----------------------------	---	-------------------------	------------------------	------------------------	--	---	---



Installation

We suggest that you have an authorized Fireplace Xtrordinair dealer install your fireplace insert. If you install the fireplace insert yourself, your authorized dealer should review your installation plans.

The 33 Elite Plus Wood Insert is designed for installation in masonry fireplaces and factory-built metal (Z.C.) fireplace. Check with your local building officials for any permits required for installation of this fireplace insert and notify your insurance company before proceeding with installation.

The 33 Elite Plus must be installed with either Positive Flue (full chimney reline) or Direct Connect Flue (See Owner's Manual for details).

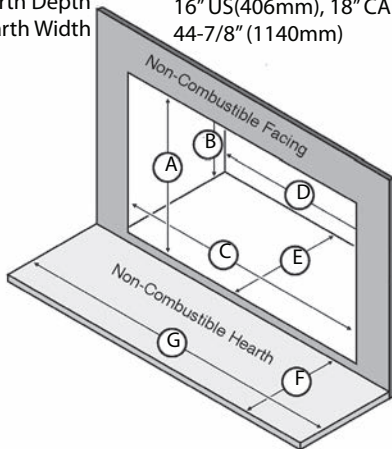
Testing

Tested and certified by OMNI-Testing Laboratories Inc. Report # 028-S-54-2, Safety Tested to U. L. 1482

* Heating capacity may vary depending on degree of home insulation, floor plan and ambient temperature zone of the area you live.

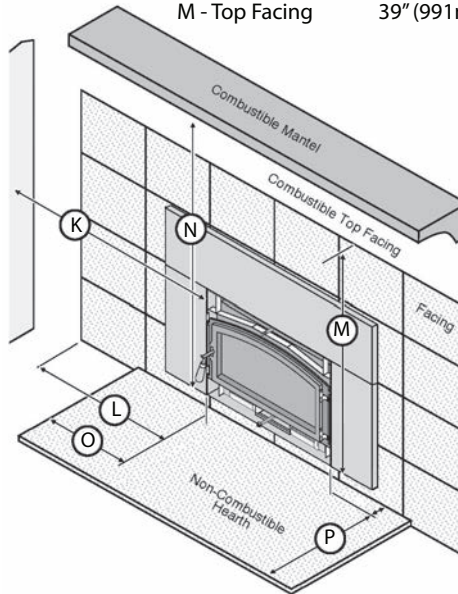
Minimum Fireplace Size

- A - Height (Front) 21-1/2" (546mm)
- B - Height (Rear) 19-3/4" (502mm)
- C - Width (Front) 30-7/8" (784mm)
- with GreenStart™ 36-7/8" (937mm)
- 3" from front opening
- D - Width (Rear) 18-7/8" (479mm)(Masonry)
- 20-7/8" (530mm) (ZC)
- E - Depth 19" (483mm) (Masonry),
- 20" (508mm)(ZC)
- F - Hearth Depth 16" US(406mm), 18" CAN (547mm)
- G - Hearth Width 44-7/8" (1140mm)



Minimum Clearances to Combustibles

- K - Sidewall To Insert 9" (229mm)
- N - Mantle (Max 8" Deep) 41-1/2" (1080mm)
- L - Side To Facing 9" (229mm)
- O - Hearth (Side) 8" (203mm)
- M - Top Facing 39" (991mm)
- P - Hearth Depth 16" US(406mm), 18" CAN (547mm)



Surround Panels for Rectangular Door Insert

Designed to finish off the fireplace opening behind the face. No Trim. Two sizes.
42" Wide x 30 1/2" Height
44" Wide x 34" Height

Surround Panels for Arched Door Insert

The three-piece surround panel designed to finish off the fireplace opening. Surround panels can also be custom cut to fit the inside dimensions of your fireplace opening. These panels come with black panel trim.

- 8" Panel Set - Covers 45 1/2" Wide x 29 1/2" Height
- 10" Panel Set - Covers 49 1/2" Wide x 31 1/2" Height
- 12" Panel Set - Covers 53 1/2" Wide x 33 1/2" Height



fireplacextrordinair
Rediscover Fire

Visit us online: www.fireplacex.com