

High Output Linear Gas Fireplaces



*Model 6015 HO GSR shown with Gallery Face,
Black Enamel Fireback, Driftwood and Stone
Fyre-Art Kit, and Platinum Glass*

Introducing the High Output Linear Gas Fireplaces

Fireplace Xtrordinair presents the very best in home heating and style with its new line of High Output Linear Gas Fireplaces. The 3615™, 4415™ and 6015™ all feature a sleek, linear appearance while boasting an impressively high heat output. With a 15 inch glass height and three lengths available, these fireplaces can accommodate any sized living space from cozy dens to grand living rooms. The long row of dancing flames and built-in fans embodies the perfect balance of beauty and function. Turn on the under-lighting that shines through the translucent glass floor and you've got magic whether the fire is on or off. You can tailor the look of the unit to accompany any architectural style with a selection of fireback options, along with realistic fire art to personalize them even more. The new High Output Linear Gas Fireplaces by Fireplace Xtrordinair will add sophistication and warmth to any room.

Superior Craftsmanship

Behind the beautiful flames and high heat outputs of the 3615™, 4415™, and 6015™ are superior craftsmanship and quality safety features. These units are built to extremely high standards at our factory located in Mukilteo, Washington. From the heavy steel thickness of the fireplace body to the durable, welded glass frame surrounding the ceramic glass, you are truly getting the finest gas fireplace available. Installed over the glass is a CPSC approved barrier screen designed to prevent accidental contact with the hot glass surface, but not detract from the stunning fire view. See the difference in quality and performance with Fireplace Xtrordinair's High Output Linear Gas Fireplaces.

Power Heat Vent Kits

The High Output Linear Gas Fireplaces' heating power can be used to heat additional rooms in your home with the optional Power Heat Duct Kit. The kit consists of a 130 CFM fan and a 20 foot heat duct. You can add up to two kits to these units, which are controlled from the remote location.

Special Features

- Two 90 CFM Blowers (180 CFM total of hot air delivery).
- Huge ceramic glass fire viewing area.
- Choice of three colors of translucent crushed glass.
- GreenSmart™ 2 wall mount remote control.
- Halogen accent lights illuminate the glass floor from underneath.
- Heavy-duty welded steel construction includes 10 gauge welded glass frame.
- CPSC compliant screen over the glass prevents accidental contact and injury.
- 6 adjustable levels for fan, lights and flame.
- Optional Driftwood or Driftwood and Stone Kit Fyre-Art.
- With countless installation applications you can install these fireplaces almost anywhere in your home.



Model 3615 HO GSR shown with the Tile Trim Kit, Ledge Stone Fireback, and Bronze Glass options.





4415 HO GSR shown with the Stainless Steel Fireback, Driftwood Fyre-Art, and Platinum Glass options.



GreenSmart™ 2 Remote Control Included

The GreenSmart™ 2 remote offers the ultimate in features and convenience from any location within 25 feet of your appliance.

Multi-Function Wireless Thermostat Remote Control

Functions of the Remote:

- Thermostat
- Flame Adjustment
- Fan Operation
- Accent Light Control
- GreenSmart™ 2 /CPI Pilots



Three Control Settings

1. Manual Setting

ON/OFF Fire and Fan stay where you set it.

2. Thermostat Setting

ON - Fireplace turns ON or OFF to maintain your desired home/room temperature.

3. Smart Thermostat Setting

Fire height will adjust automatically (up or down) to maintain your temperature setting.



Flame Adjustment

Adjust the height/heat of the flame as you desire. 6 levels of flame height to choose from.



Accent Lights

Create a warm glow to highlight the fireplace interior. Use year round to add ambiance. 6 levels to choose from.



Convection Fans

Twin 90 CFM fans circulates room air around the firebox and delivers heated air into your home. 6 speeds to choose from.



Safety Screen

For extra safety, an approved screen over the glass complies with CPSC screen standards, preventing accidental contact and injury.

Choice of Pilot Modes

Easily Switch Between Pilot Modes:

GreenSmart™ 2 - Use in Summer or milder heating days to reduce gas consumption from the Pilot.

CPI - Continuous Pilot - Keeps Pilot on at all times. This warms the vent system to maintain a strong draft in the chimney and reduce moisture condensation on the glass. Used in Fall/Winter or in cold climates areas.

Firebacks (Required)

Choose from four unique options to line the firebox of your linear fireplace



Black Painted Fireback

Creates the illusion of a large, deep firebox.



Ledgestone Pattern Fireback

A naturally dramatic interior with three-dimensional shadowing from the flames.



Black Porcelain Enamel Fireback

Creates a rich flame reflection.

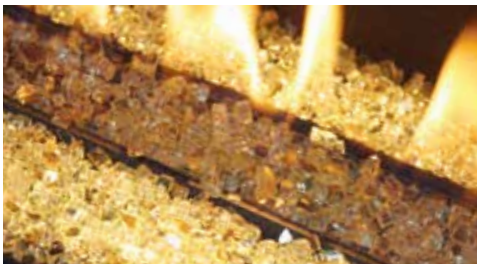


Stainless Steel Fireback

A bright metal reflection that develops a soft patina over time.

Decorative Glass Interior Floor (Required)

Once you've chosen your fireback, choose one of three different crushed glass colors for the floor of your fireplace.



Platinum Glass



Bronze Glass



Cobalt Glass

Interiors (Optional)

Although not required, the decorative interiors allow you to personalize your fireplace with a little added style.



Driftwood Twigs and Stones Fyre-Art Kit



Driftwood Log Set

Tile Trim Kit (Optional)

Although the linear fireplaces have a tile stop for your facing material to finish to, you may want something a little more decorative. The Tile Trim Kit is 5/8" wide and beautifully finishes and frames the fire. The Tile Trim Kit comes in two adjustable depths - 1/2" to 7/8" or 1" to 1-1/2". to accommodate different finish thicknesses.



Gallery Face (Optional)

The Gallery Face is black painted and accommodates tile or stone facing up to 1" deep. It features beveled sides that draws the eye in towards the fire and gives the fireplace a larger presence.



Dimensions for the Gallery Face by model.

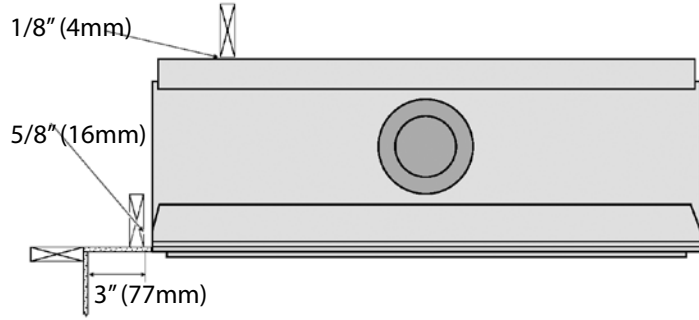
3615: 47" W x 19-5/8" H

4415: 55" W x 19-5/8" H

6015: 71" W x 19-5/8" H

NOTE: ALWAYS REFER TO THE PRODUCT OWNER'S MANUAL FOR COMPLETE INSTALLATION INSTRUCTIONS. FAILURE TO DO SO CAN RESULT IN VOIDING OF THE WARRANTY AND PRESENT A POTENTIAL SAFETY HAZARD!
MANUAL CAN BE FOUND AT WWW.FIREPLACEX.COM

Minimum Clearances To Combustibles



3615 HO Specifications

- Heating Capacity*: Up To 1,700 sq. ft.
- Variable Input: 18,331 to 33,000 BTUs/Hr (NG)
17,555 to 33,000 BTUs/Hr (LP)
- Dimensions: 16-3/8" (416 mm) D x 37-3/8" (949 mm) H x 39-1/2" (1003 mm) W
- Glass Size: 34" W (864 mm) x 13" H (330 mm)
- AFUE: 61.5% NG, 62.1% LP
- Steady State (High)**: Up to 75.22% NG and Up to 77.38% LP
- Canada EnerGuide P4 Efficiency:**†: 61.51% NG and 63.62% LP

4415 HO Specifications

- Heating Capacity*: Up To 2,100 sq. ft.
- Variable Input: 21,672 to 42,000 BTUs/Hr (NG)
21,413 to 42,000 BTUs/Hr (LP)
- Dimensions: 16-3/8" (416 mm) D x 37-3/8" (924 mm) H x 47-1/2" (1207 mm) W
- Glass Size: 42" W (1118 mm) x 13" H (330 mm)
- AFUE: 65.1% NG and 62.6% LP
- Steady State (High)**: Up to 77.08% NG and Up to 77.39% LP
- Canada EnerGuide P4 Efficiency:**†: 63.35% NG and 63.88% LP

6015 HO Specifications

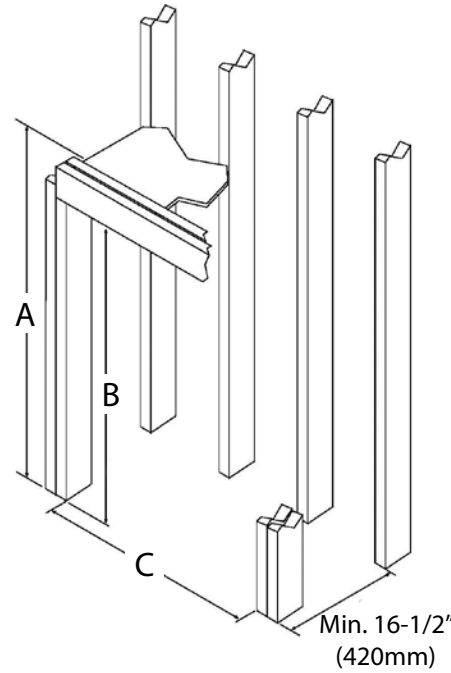
- Heating Capacity*: Up To 2,800 sq. ft.
- Variable Input: 30,273 to 56,000 BTUs/Hr (NG)
29,626 to 56,000 BTUs/Hr (LP)
- Dimensions: 16-3/8" (416 mm) D x 37-3/8" (949 mm) H x 63-1/2" (1613 mm) W
- Glass Size: 58" W (1473 mm) x 13" H (330 mm)
- AFUE: 63.5% NG and 67.5% LP
- Steady State (High)**: Up to 77.34% NG and Up to 78.74% LP
- Canada EnerGuide P4 Efficiency:** † 63.56% NG and 66.07% LP

* Heating Capacity will vary with floor plan and ceiling height, insulation, and outside ambient temperature.

** Your results may vary depending on your vent configuration.

† P4 Efficiency determined using CSA P4.1-02.

Minimum Framing Requirements*



3615 HO

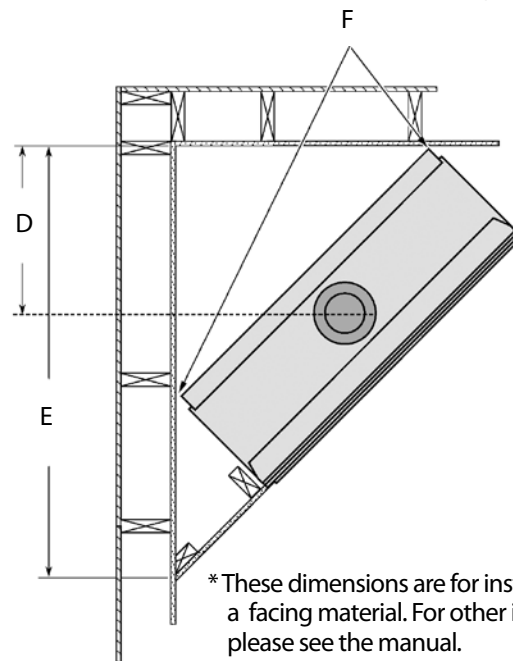
- A - 54", 1372 mm
- B - 54", 1372 mm
- C - 40-3/4", 781 mm
- D - 19-1/2", 495 mm
- E - 52 1/8", 1324 mm
- F - 5/8", 16 mm

4415 HO

- A - 60", 1524 mm
- B - 60", 1524 mm
- C - 48-3/4", 1238 mm
- D - 22-1/2", 572 mm
- E - 58-1/4", 1480 mm
- F - 5/8", 16 mm

6015 HO

- A&B NG - 66", 1676 mm
- LP - 72", 1829 mm
- C - 64-3/4", 1645 mm
- D - 29", 737 mm
- E - 69", 1753 mm
- F - 5/8", 16 mm



See our complete line of fireplaces and inserts at: www.fireplacex.com

Photos and illustrations are for descriptive purposes only. We reserve the right to improve or change our products without prior notification. GreenSmart™ and all other trademarks belong to Travis Industries, Inc. Consult the Owner's Manual for complete installation requirements.