

# BOSTONIAN DIAMOND-FYRE GAS FIREPLACE





# BOSTONIAN DIAMOND-FYRE GAS FIREPLACE

Lopi gas fireplaces are designed and hand-assembled at our state-of-the art plant in Mukilteo, Washington. With over 30 years of experience manufacturing innovative hearth products, Lopi has gained a reputation for quality construction, the beauty of our products, energy saving performance you can trust, along with our commitment to your satisfaction.

With this in mind, we are proud to introduce the Bostonian™ Diamond-Fyre™ gas fireplace. This bold gas fireplace is designed to be a beautiful yet functional piece of fire art. The Bostonian Diamond-Fyre utilizes 564 square inches of fire viewing, clean lines, with a contemporary linear fire. For the interior choose from either a simple black painted interior or add the highly reflective stainless steel interior that reflects the fire in a myriad of patterns. To make the fire even more dramatic we have incorporated a glowing bed of reflective glass media that is lit from the bottom with an adjustable accent light. You have the choice platinum white, cobalt blue or bronze colored glass that together with the stylish linear flames creates a true visual combination of fire and art to give your home an amazing source of heat and beauty.

The Bostonian Diamond-Fyre will heat an area of 950 square feet with a maximum input of 20,500 Btus. With the amazing GreenSmart burner system gives you a turn-down ratio of 75% allows for a very low input of 5,100 Btus with natural gas or 4,200 Btus with propane. This feature provides you great flexibility for year-round use. The Split-Flow ribbon burner turns the left and right sections to be shut off leaving only the center portion lit for times when the mood calls for a fire but the comfort level does not require a large heat output.

## GREENSMART TECHNOLOGY FEATURES

- Heater rated fireplace. Heat up to 950 sq. ft. Ideal for moderate homes or zone heating a portion of the house.
- LP Conversion kit included with fireplace at no additional cost.
- Linear, two-stage burner features tall flickering flames surrounded by a bed of under lite glass media.
- Choice of three colors of glass floor media - Platinum, Bronze or Cobalt Blue.
- Choice of black painted or stainless steel interior liners.
- Easy Heat/Flame Adjustment with a large high-to-low flame turndown ratio - up to 75%.
- Comfort Control™ that allows you to turn off the rear burner for less heat when desired for year-round enjoyment of the fire.
- Standard accent light feature adds an adjustable, glowing light that reflects up through the reflective glass media floor. Can be used with or without the fire being on.
- Concealment panel hides controls so they do not distract from the clean look of the fireplace.
- Built-in battery backup allows continued operation of your gas stove during power outages. Automatically switches back to AC when the power comes back on.
- 9 volt battery powered LED lit control panel automatically lights up when you lower concealment panel - operates even during power outages.
- Choice of pilot ignition modes - GreenSmart™ Electronic Ignition for instant fire when you want it or Standing Pilot for colder climates where a heated chimney is needed to maintain the draft.
- Optional 150 CFM Convection Blower will increase the efficiency and rate of heat transfer from the fireplace into your home.
- Optional GreenSmart Remote Control gives you the choice of manual, thermostat or "Smart" thermostatic control of your fireplace. This amazing remote allows you the ability to control virtually every function of your GreenSmart system from the comfort of your living room chair!

## CONTROL PANEL



Optional Blower Control

Accent Light Control

Flame Adjustment Control

Pilot Choice

Comfort Control Module

Battery Back-up Tray

Main Burner Switch

## BASIC GRILLS

Face is 36 1/4" W x 30 1/4" H



**BASIC GRILL SET, BLACK PAINTED**  
SKU: 96200801



**BASIC GRILL SET, NICKEL PLATED**  
SKU: 96200803

## WILMINGTON FACES

Face is 36 1/8" W x 29 1/16" H



**WILMINGTON™ BLACK PAINTED**  
SKU: 95400186



**WILMINGTON™ BRUSHED  
NICKEL PLATED**  
SKU: 95400187

## FINISH OPTIONS

### FIREBACKS - REQUIRED

Firebacks are required on the 564 Diamond-Fyre. You have the option of adding a simple black painted interior or choose the dramatic black enameled interior liner that subtly reflects the flame and glowing floor media in a multitude of patterns.



**Black Painted, SKU # 96100211**



**Stainless Steel, SKU # 96100208**

### DECORATIVE GLASS MEDIA - REQUIRED

Beautiful decorative glass media comes in your choice of three colors. The glass media is bottom lit with the adjustable accent light and with the flames gives the impression of millions of glowing shimmering diamonds.



**Platinum**  
SKU: 94500580



**Bronze**  
SKU: 94500581



**Cobalt**  
SKU: 94500582

### WALL THERMOSTAT

The wall thermostat provides the ability to set the desired temperature that you would like for the room. The fireplace will cycle on and off to maintain your set temperature. The wall thermostat can be wired up to 25 feet away from the appliance and allows for easy hands-free convenience.



### GREENSMART REMOTE CONTROL

Adding a remote provides for the ultimate in easy operation of your fireplace. The revolutionary GreenSmart remote offers ON/OFF and thermostat settings along with the "Smart" thermostat setting that autonomically adjusts the flames height up or down to regulate your rooms desired temperature.



### CONVECTION FAN

This 150 CFM fan enhances and speeds up the natural heat transfer around the fireplace and directs it back into your home. Fan must be installed at time of installation.



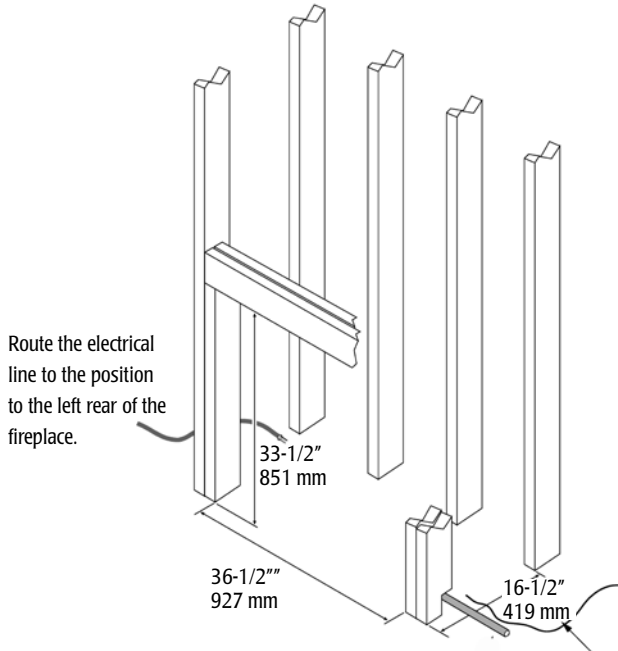




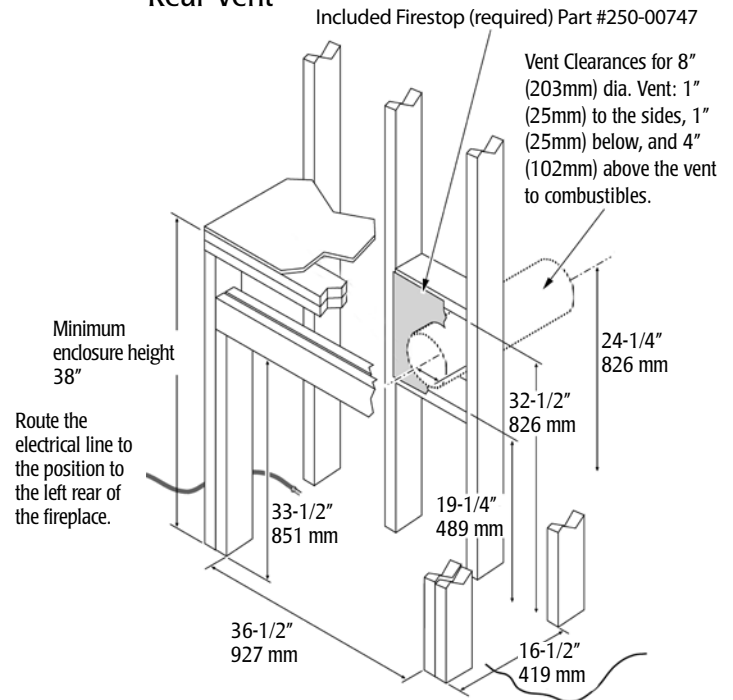
# BOSTONIAN DIAMOND-FYRE GAS FIREPLACE CLEARANCES

## MINIMUM FRAMING DIMENSIONS:

### Top Vent



### Rear Vent



## HEARTH REQUIREMENTS:

A non-combustible hearth extension is not required. However, if the heater is installed next to the floor, we recommend a hearth to protect the flooring surface from discoloration.

## LISTINGS:

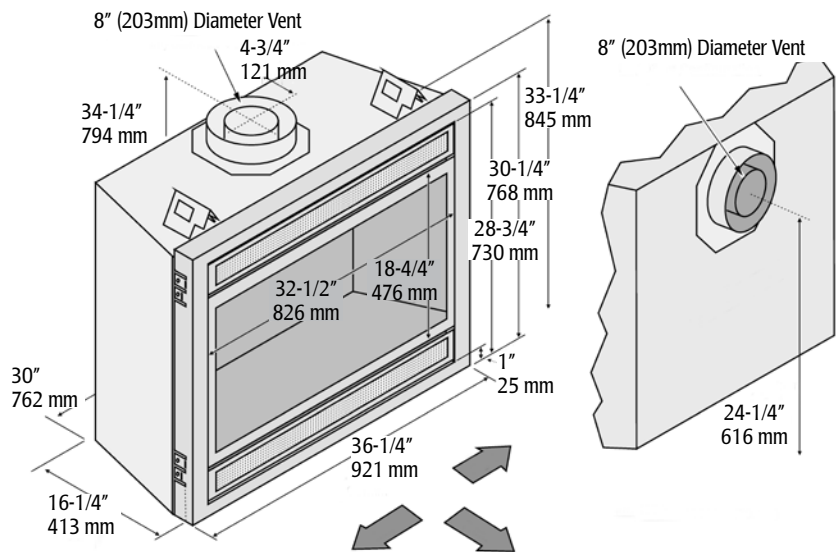
This appliance was listed by OMNI Test Labs to ANSI Z21.88 - report # 028-F-80c-5. The listing label is attached to the appliance near the gas control valve.

## IAS (ICBO) APPROVAL

This appliance was listed by OMNI Test Labs - IAS # TL130.

## MASSACHUSETTS APPROVAL

Submitted to the Massachusetts Board of State Examiners of Plumbers and Gas Fitters



## Your Authorized

## Lopi Dealer

## Is Located At:

Photos and illustrations are for descriptive purposes only. We reserve the right to improve or change our products without prior notification. Diamond-Fyre™ and all other trademarks belong to Travis Industries, inc. Consult the Owner's Manual for complete installation requirements.