

CAPE COD™ WOOD INSERT

WOOD HEAT IS GOOD HEAT!



Enjoy higher efficiency and lower heating bills with Lopi's Cape Cod, the most beautiful flush cast iron wood burning fireplace insert on the market. The classic cast iron design and large viewing area of the single door are complementary to almost all interior designs. The Cape Cod insert features a 5-sided convection chamber, 6" seamless flue collar and masonry fire brick interior, making the insert superior in quality with exceptional heat transfer. The fireplace has the highest BTU output of any flush insert to date providing up to 73,000 BTU's distributed by twin 90 CFM convection fans. The fans are standard with the insert and are designed to circulate heat up to 2,000 square feet making the Cape Cod an extraordinary heater. The advanced combustion system leads to fires that burn longer and more efficiently with less wood keeping your fire ablaze for approximately 10 hours (*depending on wood species*). Warm up your home this year with this efficient and high caliber insert.

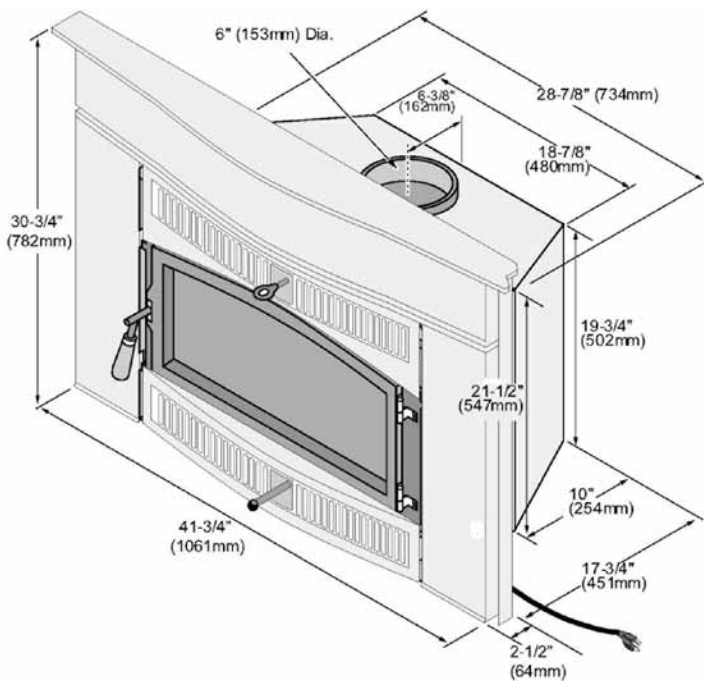


Emissions	Heating Capacity	Heat Output	Maximum Burn Time	Firebox Size	Maximum Log Size	Weight	Construction	Efficiency
4.4 Grams Per Hour	1,200 to 2,000 Sq. Ft.	Cord Wood 73,300 BTUs/Hr.	Up To 10 Hours	2.2 Cubic Foot	24"	500 lbs.	5/16" to 1/4" Steel Plate	Up To 76.9%

Cape Cod Wood Insert Features:

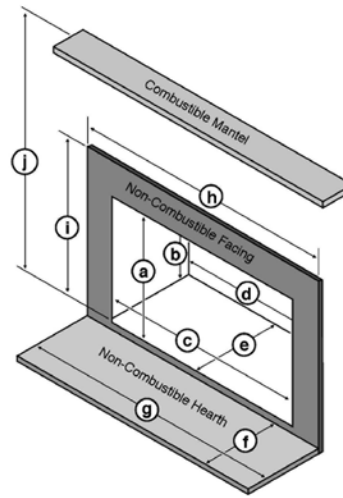
- Huge contoured single piece arched door
- Glass area: 240 Sq. In. (22-3/3" w x 10-1/2" h)
- Arched low profile airwash keeps glass clear
- Approved for masonry or metal (ZC Fireplaces)
- Designed to fit most fireplaces - 19-3/4" h x 17-3/4" d
- Steel plate construction - up to 5/16" thick
- Heavy-duty kiln-fired refractory firebrick
- Stainless steel air tubes
- Standard twin 90 CFM convection fans
- Built-in wheel caster allows for easier installation
- Easy to operate door latch
- Comes standard with detailed cast iron panels

Cape Cod Wood Insert Dimensions:



Safety Testing: Tested and Listed for the USA and Canada by Intertek Test Labs. Tested to U. L. 1482 and ULC S628

Fireplace Requirements:

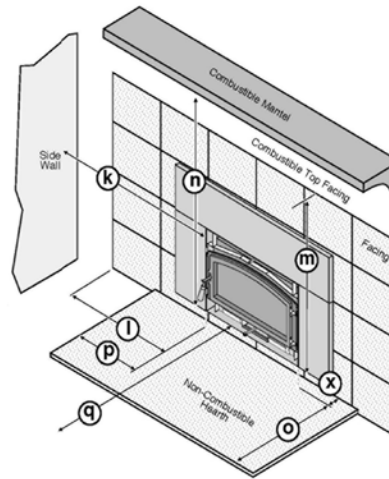


Minimum Fireplace Size	Masonry Fireplace	Z.C. (Metal) Fireplace
a Height (front)	21.5" 547mm	21.5" 547mm
b Height (rear)	19.75" 502mm	19.75" 502mm
c Width (front)	30.875" ** (785mm)	30.875" ** (785mm)
d Width (rear)	18.875" (480mm)	20.875" ** (531mm)
e Depth ***	17.75" (451mm)	18.75" ** (477mm)
f Hearth Depth (includes insert depth on hearth plus required hearth extension)	17.25" 439mm (US) 19.25" 489mm (Can)	17.25" 439mm (US) 19.25" 489mm (Can)
g Hearth Width	44.875" 1140mm	44.875" 1140mm
h Facing Width	46.875" 1191mm	46.875" 1191mm
i Facing Height	39" 991mm	39" 991mm
j Mantel Height	41.5" 1055mm	41.5" 1055mm

* Includes 2" (51mm) for power cord installation.
** 1" (26mm) Clearance to fireplace walls is required for ZC Fireplaces.

Clearances To Combustibles:

Refer to the Owner's Manual for **ALL** installation information.



Minimum Clearances	Masonry Fireplace	Z.C. (Metal) Fireplace
k Sidewall	9" 229mm	9" 229mm
l Side Facing (non-combustible)	9" 229mm	9" 229mm
m Top Facing (non-combustible)	39" 991mm	39" 991mm
n Mantel (combustible)	41.5" 1055mm	41.5" 1055mm
o Front Hearth (does not include insert extension "x")	16" 407mm (US) 18" 458mm (Canada)	16" 407mm (US) 18" 458mm (Canada)
p Side Hearth	8" 204mm	8" 204mm
q Front of Insert	36" 915mm	36" 915mm
x Extension Onto Hearth	1.25" 32mm	1.25" 32mm

Hearth Requirements: Must be non-combustible at least .018" thick (26 gauge).

Power Requirement: 110 voltage required for fan. An optional insert wiring kit is available to hard wire insert from within the firebox.

Child & Pet Safety: We recommend a firescreen to protect children or pets from the hot glass and metal surfaces on the insert when is in operation. Ask your dealer for details on available fireplace safety screens.

Lopi produces a wide variety of quality wood, pellet, gas and electric hearth appliances.

Find your favorite fire today by visiting: www.lopistoves.com.

Your Lopi Authorized Dealer:



Lopi products are made with pride in the USA