



The clean, contemporary look of stainless steel creates an attractive, durable wood-burning fireplace versatile enough for outdoor or indoor use.

LENNOX
HEARTH PRODUCTS

MERIT® Plus
SERIES



MP-420D shown.

■ If the clean, stylish appearance of stainless steel suits your style, and a wood-burning fireplace is in your plans, you've found your perfect match. Designed for either outdoor or indoor use, the Merit® Plus Series Outdoor/Indoor wood-burning fireplaces are both beautiful and durable and come gas-log-ready. The stainless steel front face and lintels make them an ideal choice to complement the design of a kitchen area equipped with stainless steel appliances, or for any contemporary living space inside the home. When used out-of-doors, stainless steel construction provides exceptional weather resistance and ensures many years of carefree enjoyment. ■



STANDARD FEATURES

Durable, stainless steel on front face, and on all surfaces exposed to weather, complements stainless steel appliances and ensures long-lasting beauty

Configured for outdoor use, but easily convertible for indoor use

Minimum clearance to combustible material simplifies installation

Heavy concrete refractory provides superior durability

Robust stainless steel curtain-pull firescreens maintain their beauty over time

Heavy-duty stainless steel log grate maintains its beauty over time

Available in two sizes – MP-36OD and MP-42OD

Refractory knockouts for easy installation of gas logs

Outside air kit (required outdoors)

Backed by the Good Housekeeping Seal

OPTIONAL ACCESSORIES

Stainless steel weather cover

Weather-resistant, brushed stainless steel bi-fold doors with stainless steel hinges and hardware

Air gate kit (optional indoors)

Optional outside air control valve allows the regulation of outside combustion air when installed as an indoor fireplace



Stainless steel weather cover



Brushed stainless steel bi-fold doors



MP-36OD shown.

DIMENSIONS

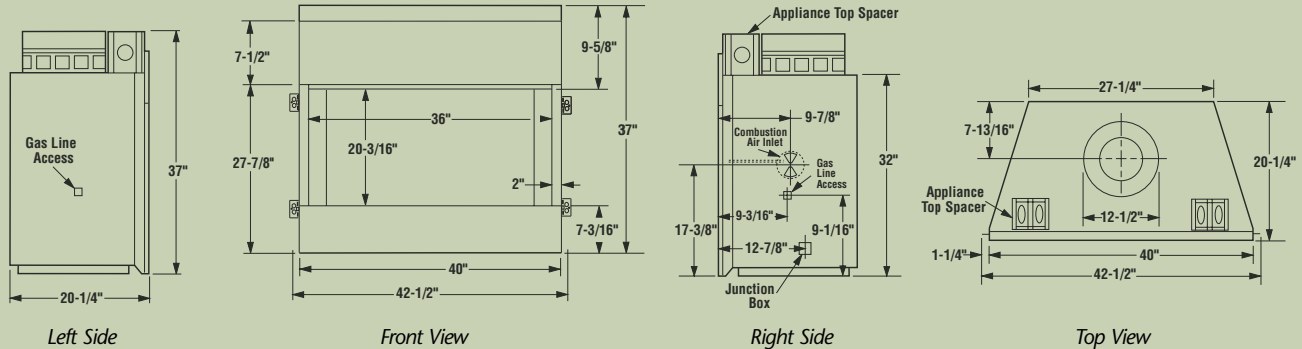


MP-36OD

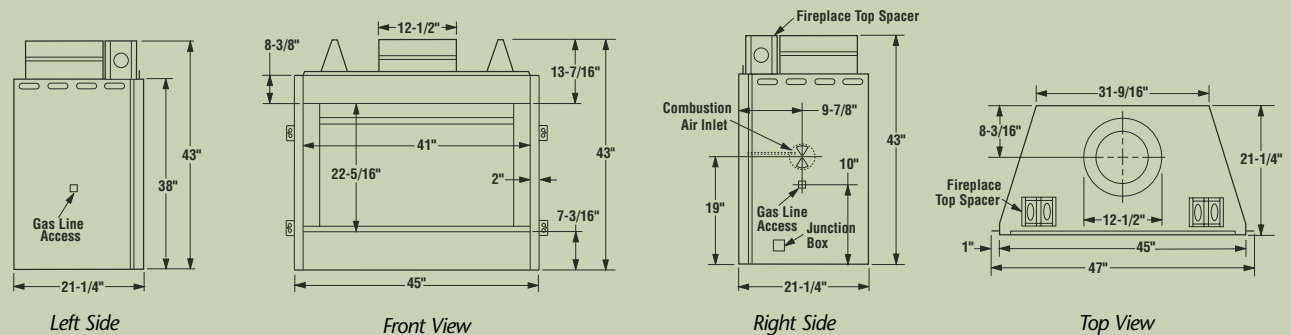


MP-42OD

MP-36OD



MP-42OD



SPECIFICATIONS

MODEL	FIREBOX			FRAMING		
	WIDTH	HEIGHT	DEPTH	WIDTH	HEIGHT	DEPTH
MP-36OD	36"	20-3/16"	15-1/2"	41-1/2"	37-1/2"	20-5/8"
MP-42OD	41"	22-5/16"	16-1/2"	46-1/2"	43-1/2"	21-5/8"

PRODUCTS AND DEALERS YOU CAN COUNT ON

At Lennox, we understand how important it is for you to feel comfortable at home, so we're committed to providing you with the finest hearth products available. Choosing the right dealer for your hearth needs is every bit as important as choosing the right brand, and we think you'll agree that our dealers are a big reason why you can count on getting quality customer service when you call.

LENNOX

HEARTH PRODUCTS

© Lennox Industries Inc. 2011

Visit us at www.lennox.com, or contact us at 1-800-9-LENNOX.

POB7073 785184M 08/11

IMPORTANT NOTES:

As with any heating appliance, fireplace or stove, this appliance is extremely hot during operation. Read and understand all operating instructions before using this appliance. For further information, consult your dealer.

Local conditions, such as elevation, wind, vent configuration and choice of fuel will affect overall appearance of the fire and heating performance. Performance can also vary with home design and insulation, climate, condition and type of fuel used, appliance location, burn rate, accessories chosen, chimney installation and how the appliance is operated.

Diagrams, illustrations and photographs are not to scale—consult installation instructions. Product designs, materials, dimensions, specifications, colors and prices are subject to change or discontinuance without notice.

Built to UL 127/ULCS610 standards. Agency report numbers, local approvals, including WA State and NYC vary by model. Refer to specific installation instructions or our website for details.



Tested & Listed By



Portland Oregon USA



OMNITest Laboratories, Inc.

100% recycled