

NORTHFIELD™

CAST IRON GAS STOVE





NORTHFIELD™ CAST IRON GAS STOVES

GREEN SMART™



NORTHFIELD IN OXFORD BROWN ENAMEL FINISH AND WITH VENT PIPE PAINTED WITH MATCHING HIGH TEMPERATURE GLOSS PAINT

The Northfield™ cast iron gas stove is a true work of art. It's classical Early American design and three-side fireview more resembles a piece of fine furniture than a gas stove. And despite its size, the Northfield boasts an incredibly large 416 square inches of fire-viewing – which highlights the realistic dancing-flame fire from any angle in the room.

The Northfield produces up to 22,000 BTUs, along with an exceptional turn-down ratio of 70-percent – for fantastic control over the amount of heat produced. The Northfield can be installed as a top or rear vent stove and boasts close clearances to adjoining walls (5" in the back and 3-1/2" on the sides) – so you can literally install it anywhere within your home. The Northfield is available in New Iron paint or Oxford Brown porcelain enamel finish.



TOP OR REAR VENT OPTION

Maximum BTU
Input per Hour
22,000 (NG & LP)

Minimum BTU
Input per Hour
6,300 (NG) 6,700 (LP)

Heating Capacity
500 to 850 sq. ft. with fan
500 to 650 sq. ft. without fan

Overall Efficiency
Up to 80.1%* (NG and LP)
* Maximum Vent Configuration

REVOLUTIONARY GREENSMART™ SYSTEM

The Northfield™ features the revolutionary GreenSmart gas burner system and realistic Ember-Fyre burner. The GreenSmart system is the latest in energy-efficiency gas technology that heats the home while saving on energy usage and lowering heating bills. The real power of the GreenSmart system is the entire collection of components, controls and technology features which includes:



- Award winning Ember-Fyre Burner features realistic logs, glowing red embers and the most wood-like fire of any gas stove.
- Easy Heat/Flame Adjustment with a huge high-to-low flame turndown ratio - up to 70%.
- Comfort Control™ that allows you to turn off the rear burner for less heat and provide for year-round enjoyment of the fire.
- Battery powered LED lighted control panel automatically lights up when you lower the access panel.
- Built-in battery backup allows continued operation of your gas stove during power outages. Automatically switches back to AC when the power comes back on.
- Choice of pilot ignition modes - Choose GreenSmart Pilot setting to save money and the environment or Continuous Pilot for colder climates where a heated chimney is needed to maintain the draft to ensure proper operation.
- The standard accent light adds a glowing back-light behind the logs and against the beautiful cast iron fire-back whether your fire is on or off. This adjustable light is perfect as a night light or as a soft indirect light for the room.
- Optional 130 CFM Convection Blower will increase the heat transfer in from the stove into your home.



GREENSMART™ CONTROLS

Note: On/off burner control and Accent Light controls are located at top right of stove for easy access.



**L.E.D. LIGHT
BATTERY
TRAY**

**PILOT CHOICE
SWITCH**

**FLAME
ADJUSTMENT
CONTROL**

**OPTIONAL
BLOWER
CONTROL**

**COMFORT
CONTROL
MODULE**

**BATTERY
BACK-UP
TRAY**

GREENSMART™ REMOTE OPTION

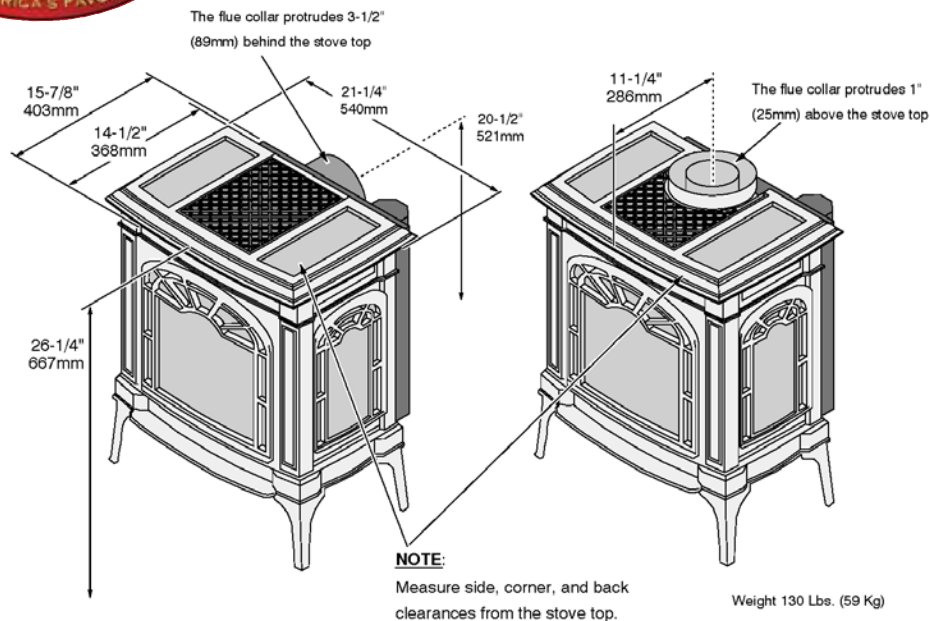
Consider adding the optional GreenSmart Remote. This convenient option gives you the ability to control all the functions of the stove from one easy-to-use hand-held remote with the exception of your pilot setting and accent light. The GreenSmart Remote gives you the choice to run the stove in manual mode, set to the traditional thermostat mode or in the "Smart Thermostat Mode". In "Smart Mode" the flame will modulate up/down as opposed to shutting off/on like normal thermostats, thus conserving fuel and maximizing heating ability while extending the viewing pleasure of the fire. The end result – an elegant, smarter and greener way to heat the home.





NORTHFIELD GAS STOVE INSTALLATION INFORMATION

Always refer to the Owner's Manual for installation Requirements



LISTINGS:

This appliance was listed by OMNI Test Labs to ANSI Z21.88 - Report # 028-S-50d-5.

IAS (ICBO) APPROVAL

This appliance was listed by OMNI Test Labs - IAS # TL130.

MASSACHUSETTS APPROVAL

Submitted to the Massachusetts Board of State Examiners of Plumbers and Gas Fitters

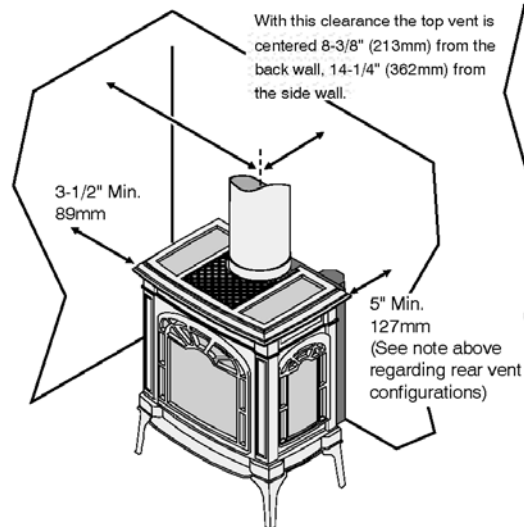
MOBILE HOME REQUIREMENTS

When the stove is installed in a mobile home, it must be bolted to the floor and the appliance grounded (use the optional blower with a grounded circuit or other suitable grounding method - current ANSI/NFPA 70 or CSA C22.1).

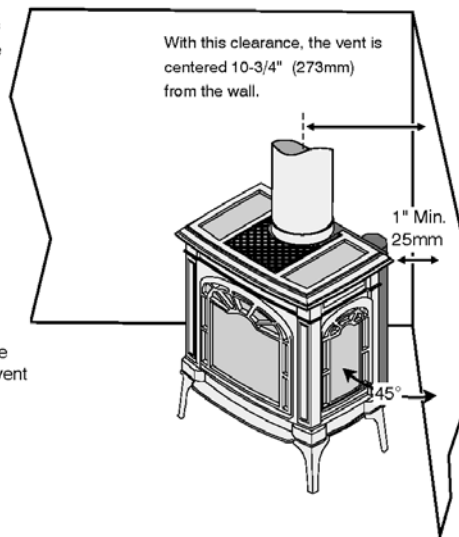
STOVE CLEARANCES

NOTE: If using the rear vent configuration, you will require approximately 8-1/2" to the rear of the stove for the vent adapter and thimble.

Straight Installations



Corner Installations



ALCOVE:

When placed in a location where the floor to ceiling height is under 7 feet, the installation is considered an alcove and must meet the following requirements: - The alcove floor to ceiling height must be at least 38-1/8" (968mm) tall - The alcove must not be more than 24" (610mm) deep before the ceiling returns to 7' (2134mm) - The alcove must be at least 28-1/4" (718mm) wide.

VENTING:

The Northfield used 6 5/8" direct vent pipe. Horizontal terminations requires the addition of the 8" Min. Rear Vent Kit - Part #96200311

FLOOR PROTECTION REQUIREMENTS

When the stove is installed directly on carpeting, vinyl or other combustible material other than wood flooring or a high pressure laminate wood floor, the stove must be installed on a metal or wood protection panel extending the full width and depth of the heater (Minimum 21-1/4" wide by 15-7/8" deep).

Your Authorized Lopi Dealer Is Located At:



Photos and illustrations are for descriptive purposes only. We reserve the right to improve or change our products without prior notification. Ember-Fyre™ and all other trademarks belong to Travis Industries, Inc. Consult the Owner's Manual for complete installation requirements.