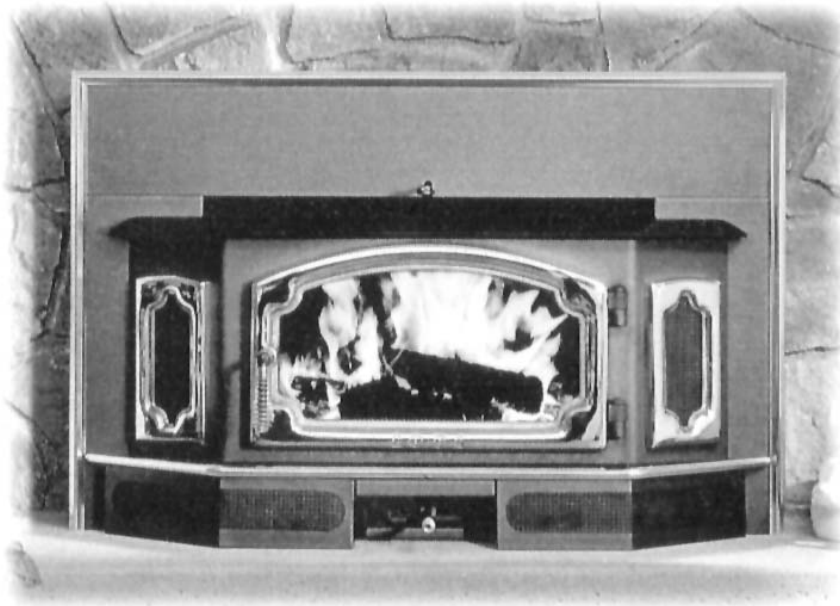




# Freedom Bay Fireplace Insert



## Owner's Manual

Masonry Fireplace  
Insert

Save these instructions  
for future reference

### **SAFETY NOTICE:**

If this appliance is not properly installed, a house fire may result. For your safety, follow the installation directions. Contact local building or fire officials about restrictions and installation inspection requirements in your area.



**TRAVIS INDUSTRIES  
HOUSE OF FIRE**

© Copyright 2009, Travis  
Industries, Inc.

\$10.00 100-01163  
4050922



**Intertek**

**Intertek**

**Listed**

Tested to: U.L. 1482 and U.L.C. S628

Report # B0506PRT-001

## Introduction

We welcome you as a new owner of a Lopi Freedom Bay wood-burning fireplace insert. In purchasing a Lopi Freedom Bay you have joined the growing ranks of concerned individuals whose selection of an energy system reflects both a concern for the environment and aesthetics. The Lopi Freedom Bay is one of the finest appliances the world over. This manual will explain the installation, operation, and maintenance of this appliance. Please familiarize yourself with the Owner's Manual before operating your appliance and save the manual for future reference. Included are helpful hints and suggestions which will make the installation and operation of your new appliance an easier and more enjoyable experience. We offer our continual support and guidance to help you achieve the maximum benefit and enjoyment from your appliance.

## Important Information

No other Lopi Freedom Bay appliance has the same serial number as yours. The serial number is stamped onto the label on the back of the appliance.

This serial number will be needed in case you require service of any type.

Model: Lopi Freedom Bay ND

Serial Number: \_\_\_\_\_

Purchase Date: \_\_\_\_\_

Purchased From: \_\_\_\_\_

\_\_\_\_\_

\_\_\_\_\_

\_\_\_\_\_

### Mail your Warranty Card Today, and Save Your Bill of Sale.

To receive full warranty coverage, you will need to show evidence of the date you purchased your appliance. Do not mail your Bill of Sale to us.

We suggest that you attach your Bill of Sale to this page so that you will have all the information you need in one place should the need for service or information occur.



We suggest that our woodburning hearth products be installed and serviced by professionals who are certified in the U.S. by the National Fireplace Institute® (NFI) as NFI Woodburning Specialists or who are certified in Canada by Wood Energy Technical Training (WETT).



## General Information

Introduction.....	2
Important Information .....	2
Safety Precautions .....	4
Features & Specifications.....	6

## Fireplace Insert Installation

Planning The Installation .....	7
Preparation for Installation .....	7
Additional Accessories Needed for Installation .....	7
Installation Considerations .....	7
Fireplace Requirements .....	8
Hearth Requirements .....	8
Insert Placement Requirements .....	9
Masonry Fireplace Requirements.....	9
Drafting Performance .....	9
Insert Rollers .....	10
Leveling Bolt Installation.....	10
Blower Installation .....	10
Flue Installation .....	11
Insert with Positive Connection .....	13
Insert with Direct Connection .....	13

## Operating Your Appliance

Safety Notice: .....	14
Before Your First Fire .....	14
Opening the Door .....	14
Bypass Operation.....	15
Starting a Fire.....	15
Adjusting the Burn Rate .....	17
Ash Removal.....	17
Blower Operation.....	18
Re-Loading the Stove.....	18
Overnight Burn .....	18
Normal Operating Sounds .....	18
Hints for Burning.....	19
Selecting Wood .....	19
Troubleshooting.....	20

## Maintaining Your Appliance

Daily Maintenance (while stove is in use) .....	22
Remove Ash (if necessary) .....	22
Clean the Glass (if necessary) .....	22
Monthly Maintenance (while appliance is in use).....	23
Door and Glass Inspection.....	23
Creosote - Formation and Need for Removal .....	2
Yearly Maintenance .....	24
Touch Up Paint .....	24
Cleaning the Air Duct and Blower .....	24
Firebrick and Baffle Inspection .....	24
Door Parts .....	25
Replacing the Glass.....	25
Replacing the Door Gasket.....	25
Replacing the Door Handle .....	25
Firebox Parts .....	26
Floor and Side Firebrick.....	26
Baffle Removal & Replacement.....	27
Air Tube Removal & Replacement .....	27

## Warranty

Warranty.....	28
---------------	----

## Listing Information

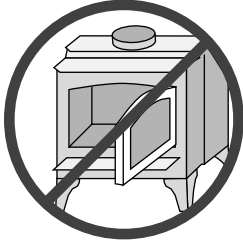
Listing Label .....	30
---------------------	----

## Optional Equipment

Door Shell Installation.....	31
Surround Panels.....	33

## Index

Index.....	32
------------	----



The viewing door must be closed and latched during operation.

Never block free airflow through the air vents on this appliance.



Gasoline or other flammable liquids must never be used to start the fire or "Freshen Up" the fire. Do not store or use gasoline or other flammable liquids in the vicinity of this appliance.



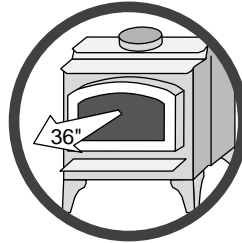
This appliance is designed and approved for the burning of cord wood only. Do not attempt to burn any other type of fuel other than cord wood in this appliance, it will void all warranties and safety listings.



Ashes must be disposed in a metal container with a tight lid and placed on a non-combustible surface well away from the home or structure.



Do not touch the appliance while it is hot and educate all children of the danger of a high-temperature appliance. Young children should be supervised when they are in the same room as the appliance.



Keep furniture, drapes, curtains, wood, paper, and other combustibles a minimum of 36" away from the front of the appliance.



This appliance must be properly installed to prevent the possibility of a house fire. The instructions must be strictly adhered to. Do not use makeshift methods or compromise in the installation.

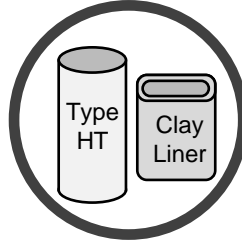


Contact your local building officials to obtain a permit and information on any installation restrictions or inspection requirements in your area. Notify your insurance company of this appliance as well.



Inspect the chimney connector and chimney at least twice monthly and clean if necessary. Creosote may build up and cause a house fire.

Do not connect this appliance to any chimney serving another appliance.



This appliance must be connected to a listed high temperature (UL 103 HT) residential type chimney or an approved masonry chimney with a standard clay tile, or stainless steel liner.

Do not install this heater in a sleeping room.

Never remove bricks or mortar from an existing fireplace. Masonry or steel, including the damper plate, may be removed from the smoke shelf and adjacent damper frame if necessary to accommodate a chimney liner, provided that their removal will not weaken the structure of the fireplace and chimney, and will not reduce protection for combustible materials to less than that required by the National Building Code.

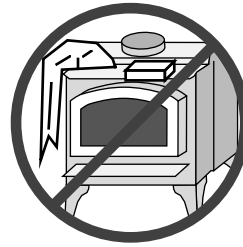


When installed in a mobile home, this appliance must be bolted to the floor, have outside air, and not be installed in the bedroom (Per H.U.D. requirements). Check with local building officials.

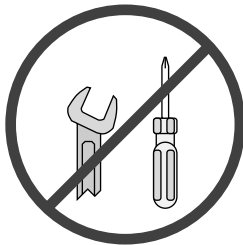
A description of all chimney parts, including chimney sections, supports, and spark arresters, determined by tests to be capable of being used with the room heater.

The structural integrity of the mobile home floor, wall, and ceiling/roof must be maintained.

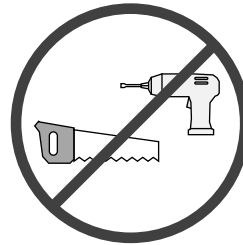
Never try to repair or replace any part of this appliance unless instructions are given in this manual. All other work must be done by a trained technician.



Do not place clothing or other flammable items on or near this appliance.

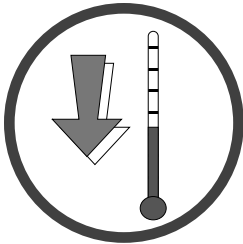


Allow the appliance to cool before carrying out any maintenance or cleaning.

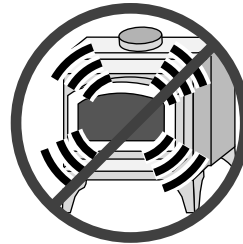


Do not make any changes or modifications to an existing masonry fireplace or chimney to install this appliance.

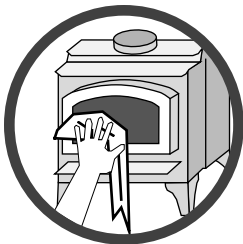
Do not make any changes to the appliance to increase combustion air.



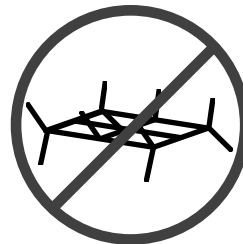
Maintain the door and glass seal and keep them in good condition.



Overfiring the appliance may cause a house fire. If a unit or chimney connector glows, you are overfiring.



Avoid placing wood against the glass when loading. Do not slam the door or strike the glass.



Do not use a grate or other device to elevate the fire off of the firebox floor. Burn the fire directly on the bricks.



Do not throw this manual away. This manual has important operating and maintenance instructions that you will need at a later time. Always follow the instructions in this manual.



**Travis Industries, Inc. grants no warranty, implied or stated, for the installation or maintenance of your appliance, and assumes no responsibility of any consequential damage(s).**

**Installation Options:**

- Masonry Fireplace Insert

**WARNING:** Do not install this fireplace insert into a factory-built metal (Z.C.) fireplace.

**Features:**

- EPA Phase II Approved
- 3.1 Cubic Foot (.088 m<sup>3</sup>) Firebox Volume
- Single Operating Control
- Accepts Logs Up to 24" (610mm) Long
- Steel Plate Construction (5/16" & 3/16") (8mm & 5mm)
- Heavy Duty Refractory Firebrick
- High-Tech Blower

**Heating Specifications:**

Approximate Maximum Heating Capacity (in square feet)*	1,200 to 2,250 (112 M <sup>2</sup> to 209 M <sup>2</sup> )
Maximum BTUs per Hour (Cord Wood Calculation)	74,300
Overall Efficiency (Oregon Method)	70 %
Maximum Burn Time	Up to 12 Hours

\* Heating capacity will vary depending on the home's floor plan, degree of insulation, and the outside temperature. It is also affected by the quality and moisture level of the fuel.

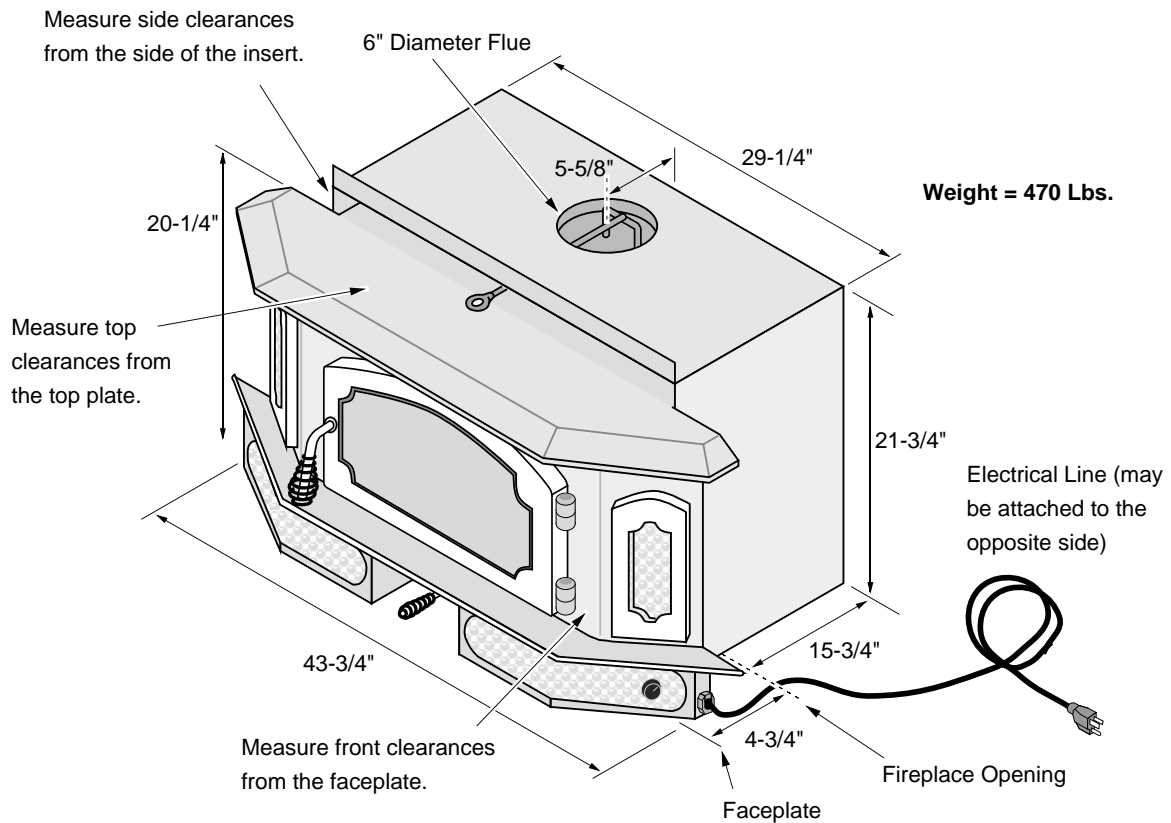
**Dimensions:**

Figure 1

**Emissions:**

2.6 Grams Per Hour (EPA Phase II Approved) – Tests conducted by E.E.S.P.C.

**SAFETY NOTICE:**

Please read this entire manual before you install and use your new room heater. Failure to follow instructions may result in property damage, bodily injury, or even death. Contact local building or fire officials about restrictions and installation inspection requirements in your area.

***Planning The Installation***



We suggest that you have an authorized Travis Industries dealer install your fireplace insert. If you install the fireplace insert yourself, your authorized dealer should review your installation plans.



Check with local building officials for any permits required for installation of this fireplace insert and notify your insurance company before proceeding with installation.

**Preparation for Installation**

- Check for damage to the exterior of the fireplace insert (dents should be reported, scratches can be fixed by applying touch up paint).
- Check the interior of the firebox (replace cracked firebrick and make sure baffle is in place).



The fireplace insert can be lightened by removing the firebricks and baffle (pg 26) - replace before operation.

**Additional Accessories Needed for Installation**

- 1 Door Shell Kit (Black 99300175 Brass 99300176 or Pewter 99300177 - see pg 31)
- 2 Surround Panels (see page 33)

**Installation Considerations**

<u>Installation Type</u>	<u>Considerations</u>
Insert with Positive Flue (Full Reline) (Page 13)	<ul style="list-style-type: none"> <li>• Provides best draft</li> <li>• Easiest to clean</li> </ul>
Insert with Direct Connect Flue (Page 13)	<ul style="list-style-type: none"> <li>• Provides good draft</li> <li>• Requires fireplace block-off plate - see page 11</li> </ul>

**Fireplace Requirements**

Figure 2 shows the minimum size requirements for the type of fireplace used.

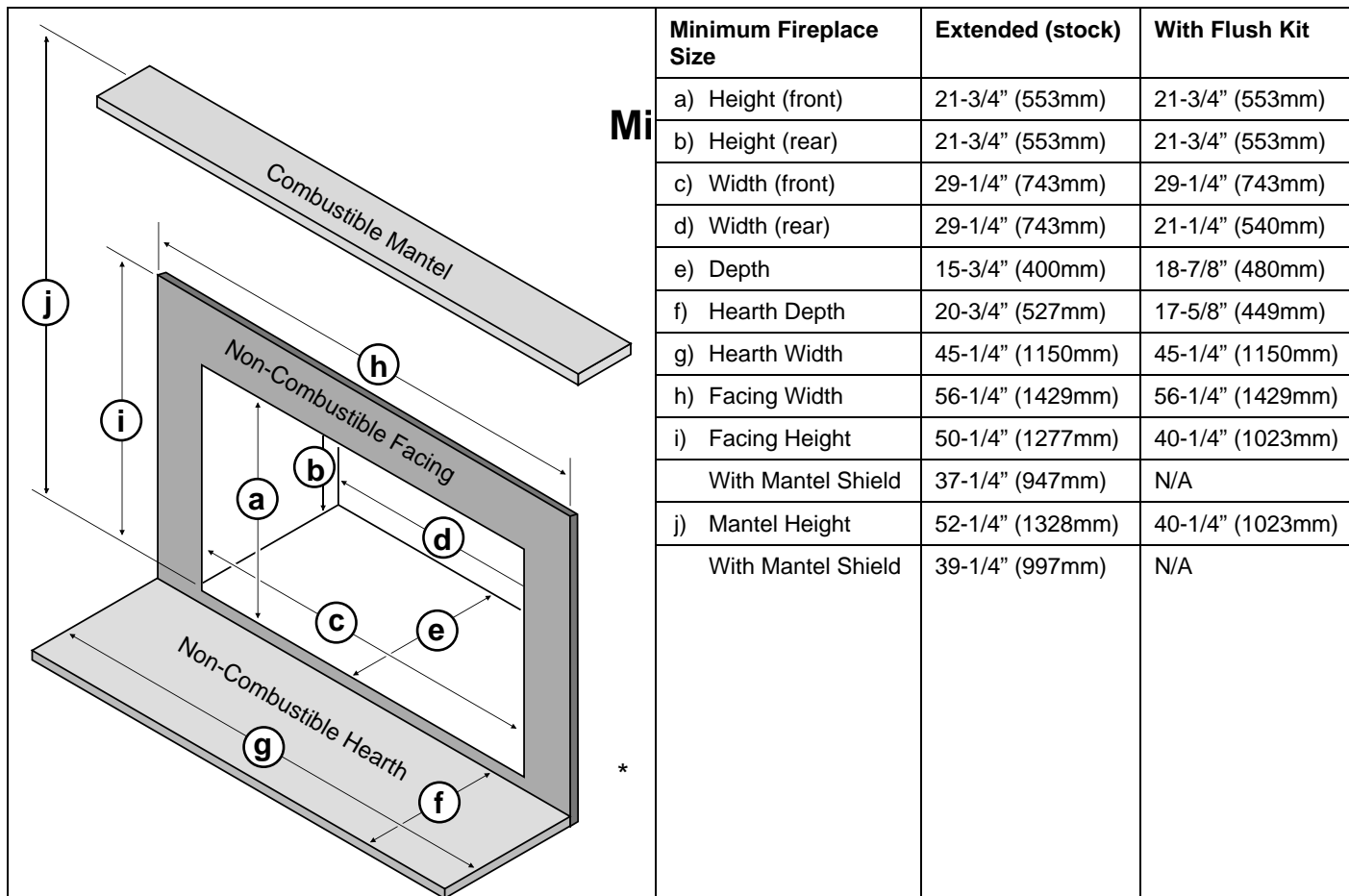


Figure 2

\* This is the distance the insert protrudes from the fireplace opening plus the required 16" of hearth extension.

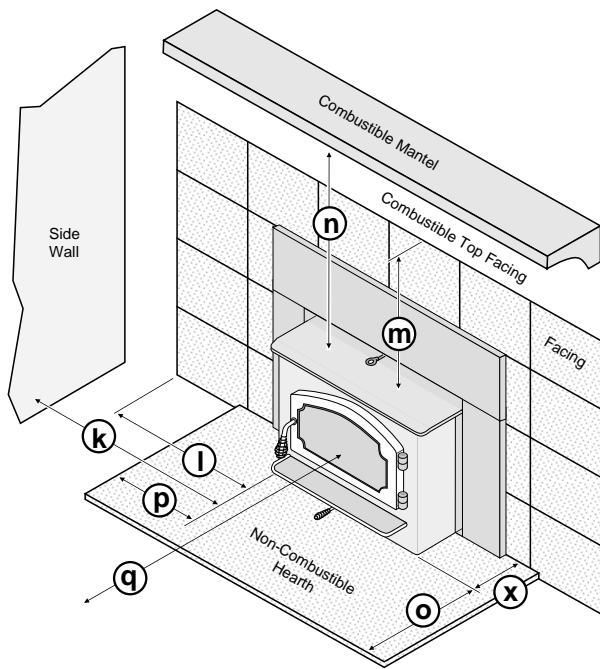
**Hearth Requirements**

- Must extend 16" in front of the insert and 8" on both sides
- Must be non-combustible and at least .018" thick (26 gauge)



### Insert Placement Requirements

- The insert must be placed so that no combustibles are within, or can swing within (e.g. drapes, doors), 36" of the front of the insert
- Insert and hearth must be installed on a level, secure floor.
- The included metal tag must be attached to the insert using screws or nails, to a readily visible location if the insert is to be removed.
- The minimum clearances, facing, and hearth requirements must be met.



Minimum Clearances

k) Sidewall to Insert	15" (381mm)
l) Side Facing	13-1/2" (343mm)
m) Top Facing With Mantel Shield	30" (762mm) 17" (432mm)
n) Mantel to Insert with mantel shield	32" (818mm) 19" (483mm)
o) Hearth (Front)	16" (407mm)
p) Hearth (Side)	8" (203mm)
q) Front of Insert	36" (915mm)
x) Extension onto Hearth	4-3/4" (178mm)

Figure 3

### Masonry Fireplace Requirements

- Chimney must have a clay tile liner or a stainless steel liner (positive connection)
- Entire fireplace, including chimney, must be clean and undamaged. Any damage must be repaired prior to installation of the insert
- Chimney height: 15' (4.572 M) minimum; 33' (10.1 M) maximum.
- Entire fireplace, including chimney, must meet local building requirements
  - This fireplace insert must be installed with a continuous chimney liner of 6" in diameter extending from the fireplace insert to the top of the chimney. The chimney liner must conform to the Class 3 requirements of CAN/ULC-S635, Standard for Lining Systems for Existing Masonry or Factory-Built Chimneys and Vents, or CAN/ULC-S640, Standard for Lining Systems for New Masonry Chimneys.
  - A solid fuel-burning appliance such as a stove or insert shall be permitted to use a masonry fireplace flue a connector that extending from the appliance to the flue liner is used.

### Drafting Performance

This appliance relies upon natural draft to operate. External forces, such as wind, barometric pressure, topography, or factors of the home (negative pressure from exhaust fans, chimneys, air infiltration, etc.), may adversely affect draft. Travis Industries cannot be responsible for external forces leading to less than optimal performance.

### Insert Rollers

Two rollers are built into the back edge of the insert. This allows the insert to be rolled into position by lifting the front of the insert and pushing it into position (see Figure 4).

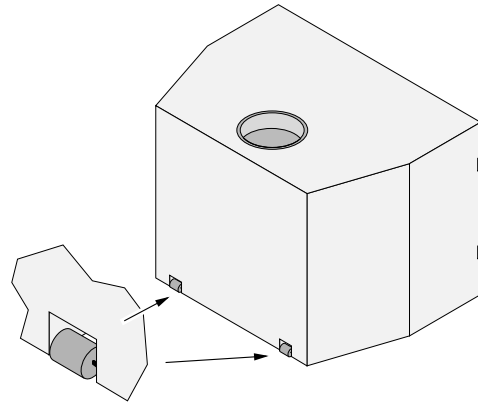


Figure 4

### Leveling Bolt Installation

Two leveling bolts are pre-installed on the insert to allow for proper leveling within the fireplace. To access the bolts, remove the back corner firebricks and cover plates (see Figure 5 "a" and "b"). The bolts are pre-threaded to a weld-nut on the base of the insert. Use a 3/4" socket wrench to screw the bolts down (clockwise) until the insert is level (see "c").

**MASONRY NOTE:** You may wish to place a metal plate below the bolt if the masonry is weak.

**SEALING THE COVER PLATE:** We recommend sealing the cover plate with furnace cement (place on underside of cover plate).

**BOLT LENGTH:** The included bolts allow approximately 1" (26mm) of rise. If additional rise is required, use a longer 1/2-13 thread bolt. Make sure the additional bolt length does not interfere with the cover plate.

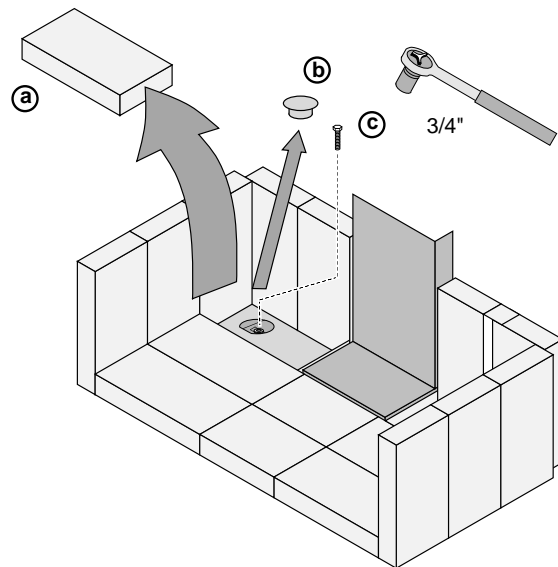
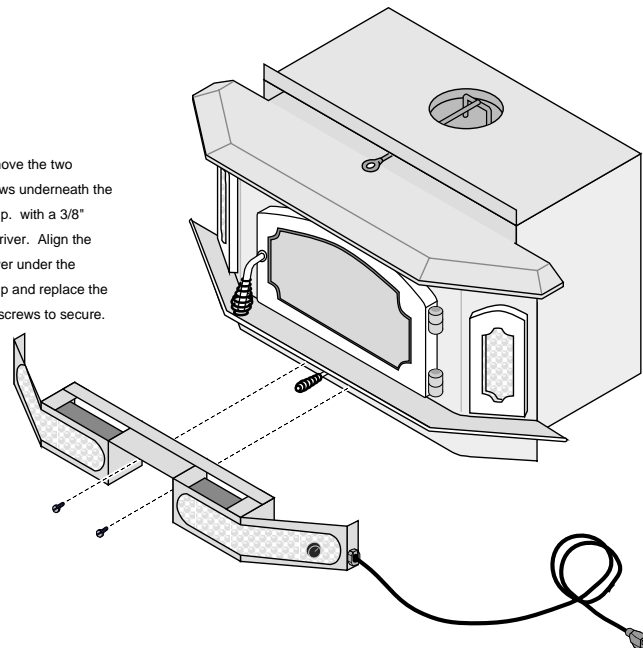


Figure 5

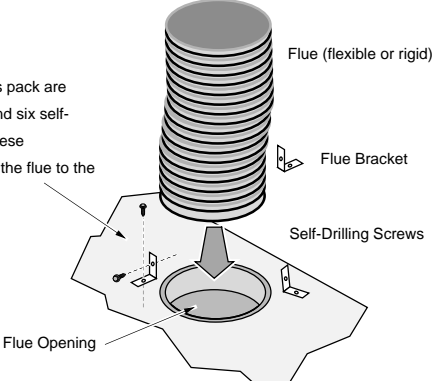

### Blower Installation

The included blower is fragile and should be installed last (see the directions to the right).

Remove the two screws underneath the ashlip, with a 3/8" nutdriver. Align the blower under the ashlip and replace the two screws to secure.



## Flue Installation

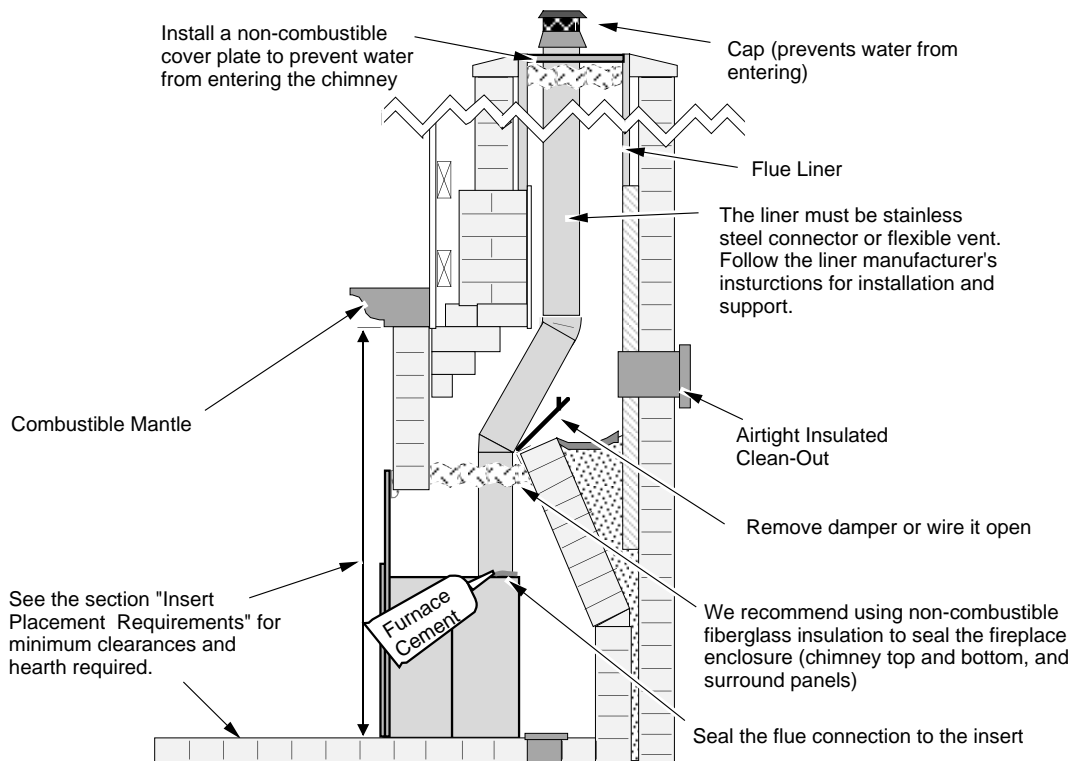
<p>Included in the owner's pack are three "flue brackets" and six self-drilling screws. Use these components to secure the flue to the fireplace insert.</p> 	<p><b>RLH Chim-Flex Starter Sections</b></p> <p>RLH manufactures starter sections in straight or angled configurations to suit your application. They are secured from inside the firebox, making installation much easier. Contact RLH for additional details:</p> <p><a href="http://www.chim-flex.com">www.chim-flex.com</a></p> 
------------------------------------------------------------------------------------------------------------------------------------------------------------------------------------------------------------------------------------------------	-------------------------------------------------------------------------------------------------------------------------------------------------------------------------------------------------------------------------------------------------------------------------------------------------------------------------------------------------------------------------------------------------------------------------

## Sealing the Flue to the Insert

This insert utilizes a catalytic combustor to increase efficiency and decrease emissions. This increases the air resistance inside the firebox, making the flue connection especially important. To insure proper draft, and to prevent smoke spillage during re-loading, **it is crucial for the flue to be sealed with fireplace cement**. If an adapter is used, both joints to the liner and to the insert must be sealed. Use a generous amount of fireplace cement at every connection (where the flue connects to the insert, and at every joint).

In addition, we recommend using non-combustible fiberglass insulation to seal the fireplace enclosure. By sealing the top and bottom of the chimney, and the surround panels, you will be ensuring outside air is not pulled into the chimney.

Also, the minimum chimney size to be used is 6".



### Block-Off Plate Installation

Whenever this appliance is installed with a direct connection a block-off plate, or other non-combustible seal-off device (e.g. damper adapter), will need to be installed. This device is used to seal the chimney, insuring no smoke enters the home and providing the chimney system with a seal to promote draft. The directions below detail the steps for construction and installation of a block-off plate.

- 1 Determine a location for the block-off plate at the top of the firebox below the damper area (make it high enough to allow installation of the connection pipe). The location should be level and in an area where it can be mounted easily. Measure the width at the rear ("A") and front ("B") of the firebox at the height where the block-off plate will be installed (see Figure 6). Then measure the depth of the location where the block-off plate will be installed ("C").
- 2 Make a cardboard template of the measurements, but add a 2" (51mm) flange to each side. This flange will be used to mount the block-off plate to the inside of the firebox. Bend the flanges downwards on the template and place it inside the fireplace. If the template fits correctly in its planned location, go to the next step. If it does not, make a new template with the appropriate corrections until it fits correctly.
- 3 With the template in place, mark the location of the flue (see "Dimensions" on page 6). This location approximates the center of the flue when the insert is in place (a slight offset may occur based upon insert and block-off plate placement). Remove the template and cut a 6 1/4" (159mm) diameter hole centered on this mark.
- 4 Make the block-off plate of 24 gage or thicker steel to match the template. Drill two holes in each flange for mounting the plate.
- 5 Mount the block-off plate using masonry screws.
- 6 Insulate the block-off plate using high-temperature fiberglass insulation (Kaowool® or equivalent) and furnace cement (allow the cement to dry for at least 24 hours before burning).
- 7 After placing the appliance and installing the pipe through the block-off plate, use high-temperature fiberglass insulation and furnace cement to seal any cracks between the pipe and block-off plate.

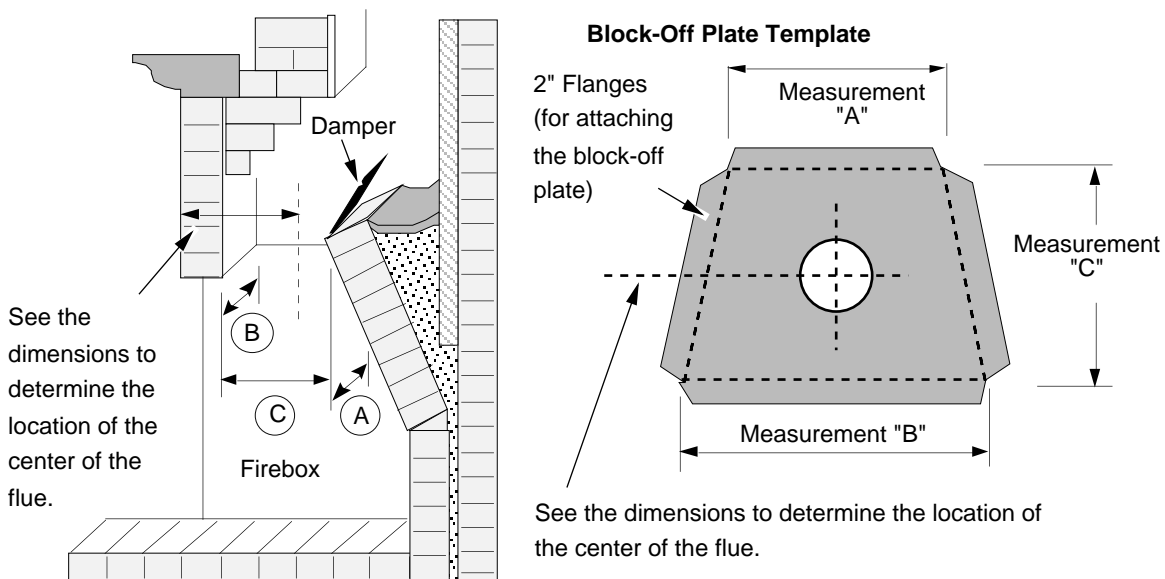


Figure 6

## Insert with Positive Connection

### NOTE:

Most factory-built chimney manufacturers make stainless steel chimney liners, either flexible or rigid. This provides a wide variety of installation options. Make sure to follow the manufacturer's instructions for installation and support.

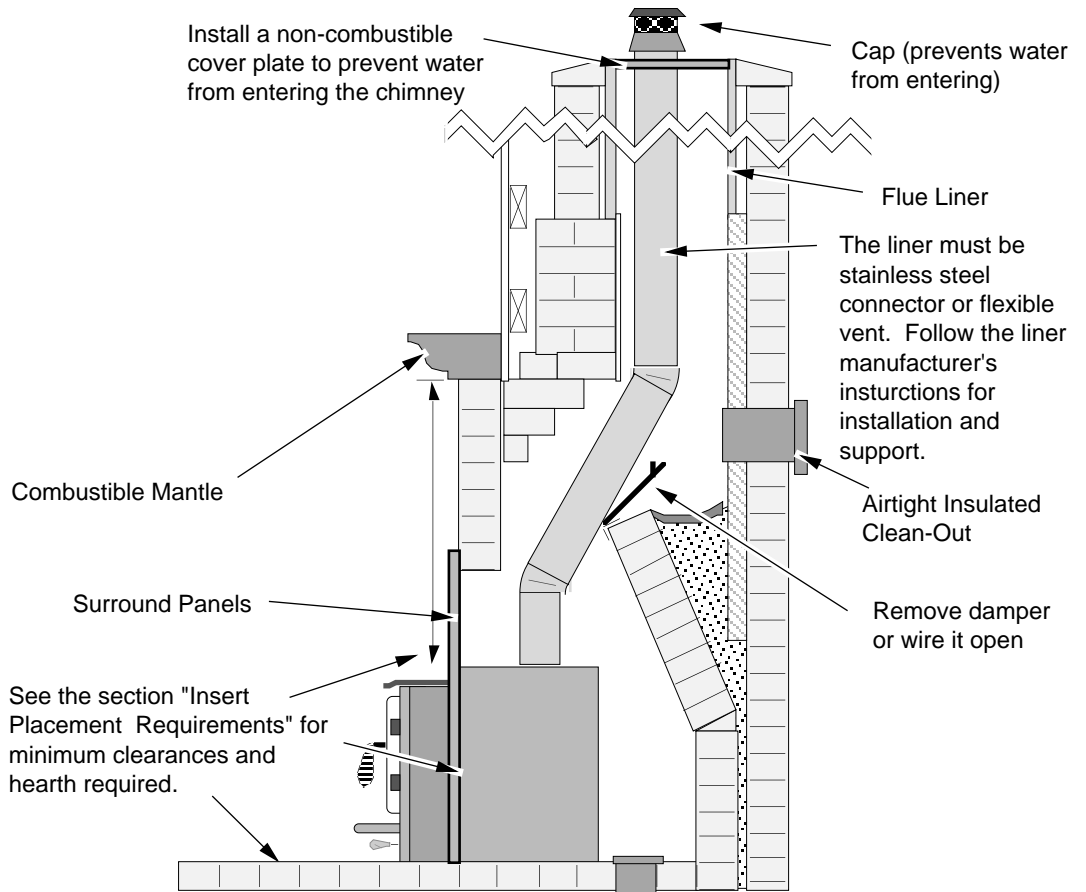
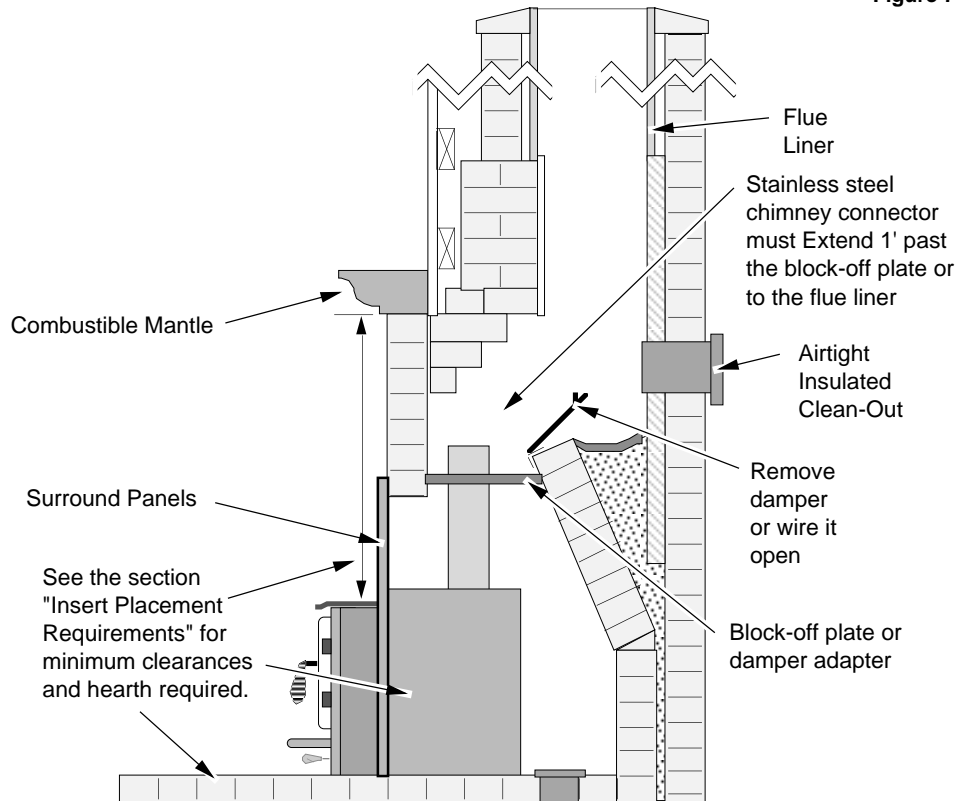


Figure 7

## Insert with Direct Connection

### NOTE:

Direct connections require installation of an airtight block-off plate or damper adapter (see "Block-off Plate Installation" on page 11).



**Safety Notice:**

If this appliance is not properly installed, a house fire may result. For your safety, follow the installation directions. Contact local building or fire officials about restrictions and installation inspection requirements in your area.



Read and follow all of the warnings on pages 4 and 5 of this manual.

**Before Your First Fire****Verify the Installation**

Before starting the stove, verify that it is properly installed and all of the requirements in this manual have been followed.

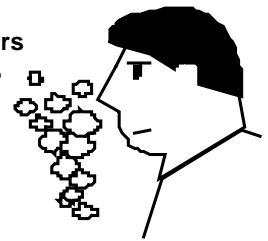
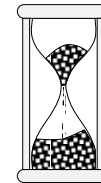


Keep all flammable materials 36" (915mm) away from the front of the stove (drapes, furniture, clothing, etc.).

**Curing the Paint**

This heater uses a heat-activated paint that will emit some fumes while starting the first fire. Open doors and windows to the room to vent these fumes. This typically lasts two to four hours. You may also notice oil burning off of the interior of the heater. This rust-stopping agent will soon dissipate.

2 to 4 hours



**Door Gasket** - The door gasket might adhere to the paint on the front of the heater. Leave the door slightly ajar for the first fire and be careful when opening the door after the first fire.

**Over-Firing the Stove**

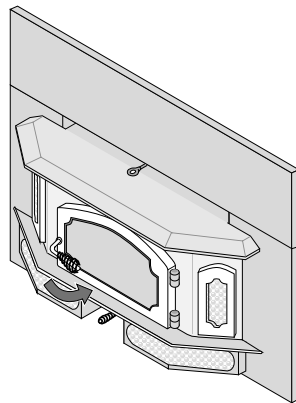
This stove was designed to operate at a high temperature. But due to differences in vent configuration, fuel, and draft, this appliance can be operated at an excessive temperature. If the stove top or other area starts to glow red, you are over-firing the stove. Shut the air control down to low and allow the stove to cool before proceeding.



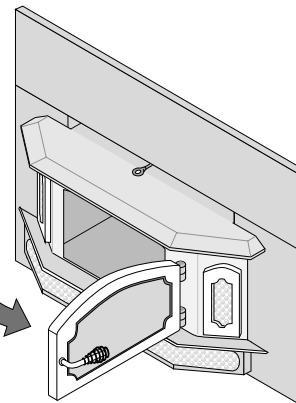
Over-firing may lead to damage of plated surfaces. If you are uncertain of over-firing conditions, we suggest placing a stove thermometer (e.g. Rutland® Model 710) directly over the door on the stove top - temperatures exceeding 800° (406 C) are generally considered over-firing and will void the warranty.

**Opening the Door**

Rotate  
the door  
handle.



Swing  
the door  
open.



The door becomes hot during use. Use a glove to open the door if the handle is hot.



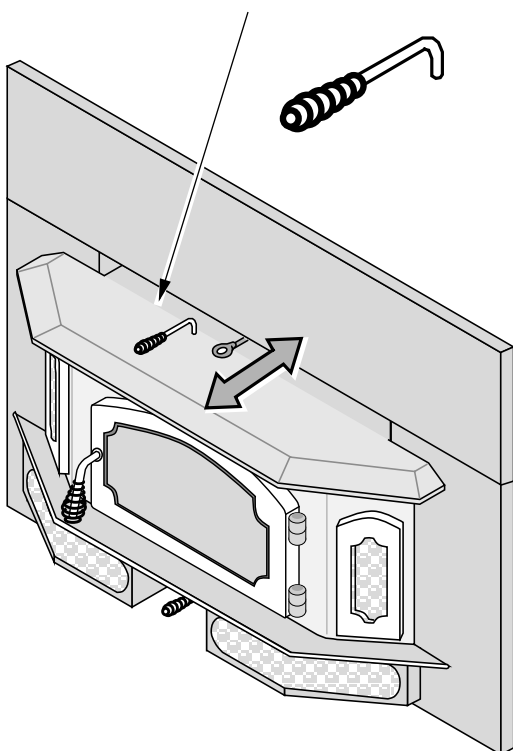
To prevent smoke from entering the room, open the bypass before opening the door (see following page for directions). You can also open the door a small amount and let air enter the firebox.

## ***Bypass Operation***

The bypass controls the flow of smoke inside the heater. When pulled out, smoke goes directly up the flue, creating more draft. When pushed in, the smoke goes around the baffle, utilizing the secondary combustion and making the heater more efficient.

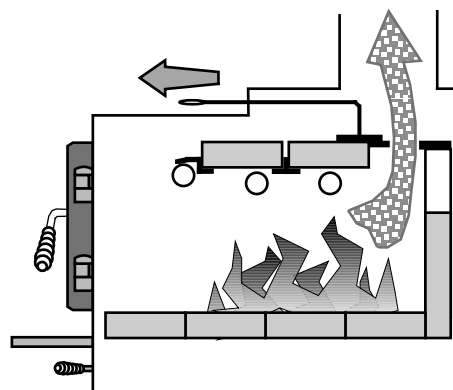
- When starting or re-loading, pull the bypass out.
- During normal operation, push the bypass in.

Use the included pull tool to operate the bypass rod



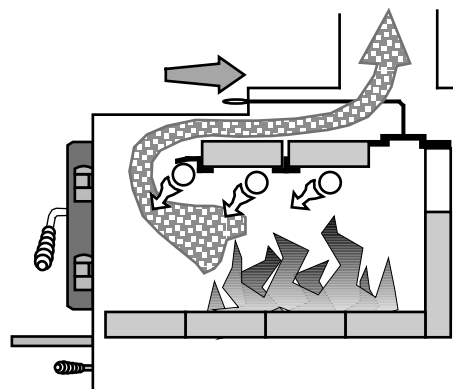
### **Bypass Pulled Out**

Used for starting and re-loading



### **Bypass Pushed In**

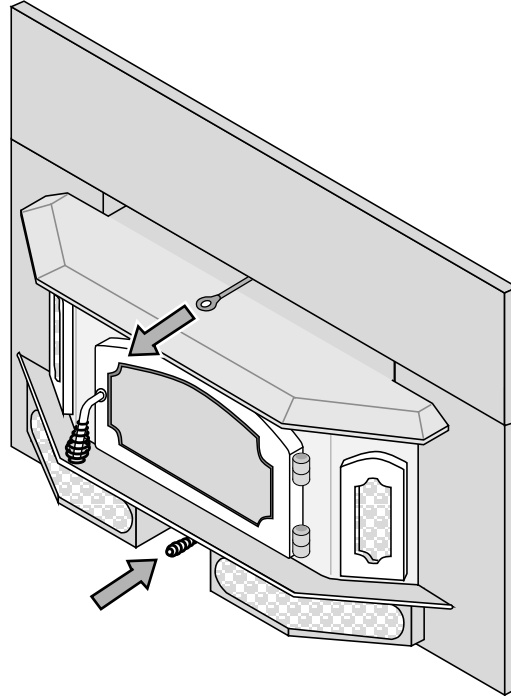
Used for normal operation



## Starting a Fire

Since the dawn of time man has debated the best way to start a fire. Some use the boy-scout "tee-pee", some prefer the "tic-tac-toe" stack. Either way, review the hints and warnings below to ensure proper fire starting.

- Make sure the air control is pushed in and the by-pass pulled out. If additional air is needed, open the doors 1/4" (7mm) during the first five minutes of start-up.



**Never** use gasoline, gasoline-type lantern fuel, kerosene, charcoal lighter fluid, or similar liquids to start or "freshen up" a fire in this stove. Keep all such liquids well away from the stove while it is in use.



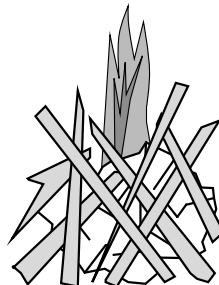
If using a firestarter, use only products specifically designed for stoves - follow the manufacturer's instructions carefully.



If the smoke does not pass up the chimney, ball up one sheet of newspaper, place it in the center of the firebox and light it. This should start the chimney drafting (this eliminates "cold air blockage").



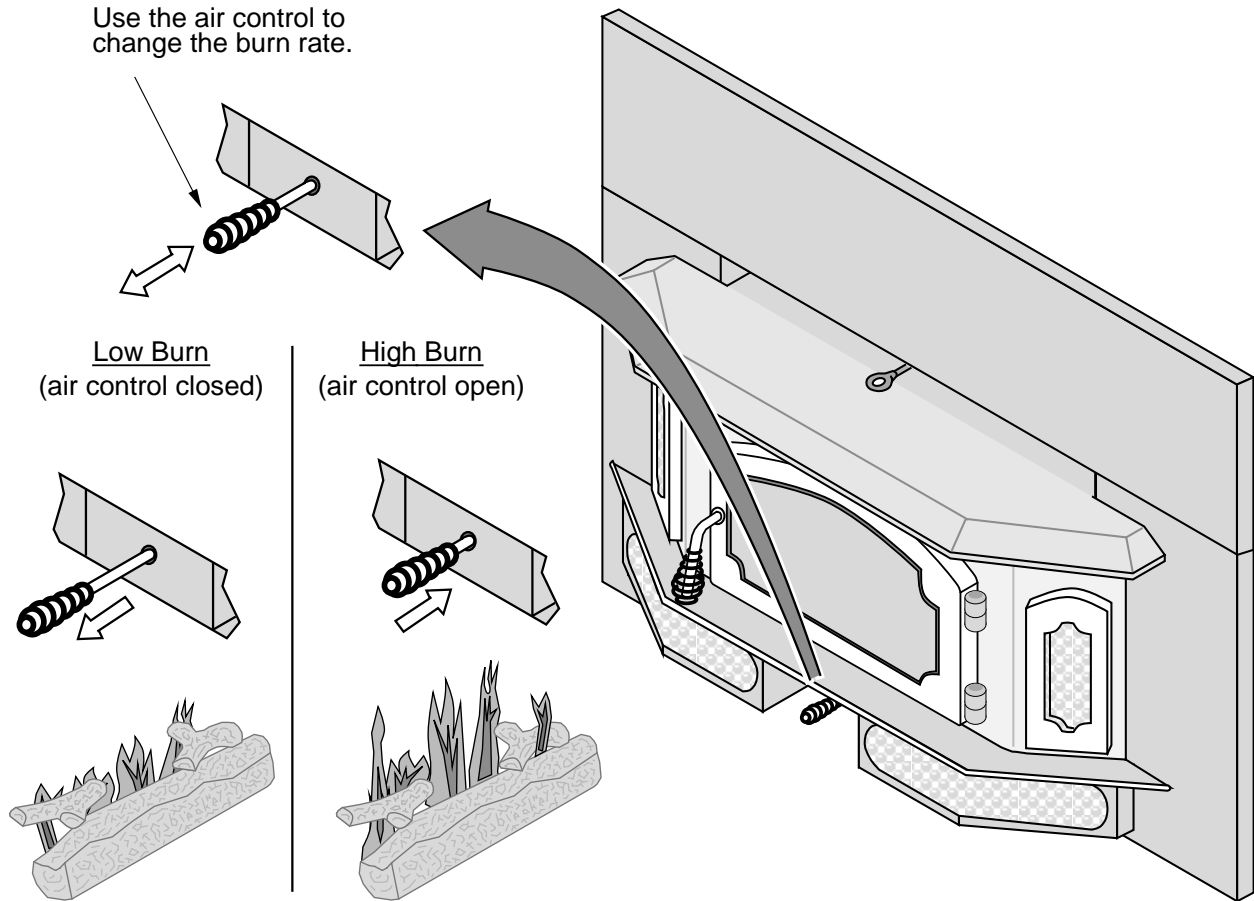
Use plenty of kindling to ensure the stove reaches a proper temperature. Once the kindling is burning rapidly, place a few larger pieces of wood onto the fire.





## Adjusting the Burn Rate

Use the air control slider to control the burn rate of the stove. See the illustration below for details.



### Approximate Air Control Settings:

Overnight Burn	Fully out to 9/32" (8mm) open
Medium Burn	9/32" (8mm) to 5/16" (4mm) open
Medium High Burn	5/16" (4mm) to 7/16" (6mm) open
High Burn	7/16" (6mm) open to fully pushed in



The air control becomes hot during operation - use gloves or a tool to prevent burns.



The air control may take several minutes to influence the burn rate. When making adjustments, you may wish to let the stove burn for 10 minutes to gauge performance.

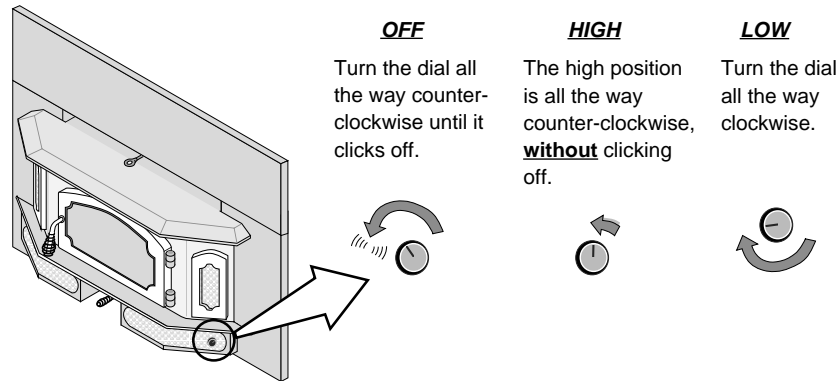
## Ash Removal



Ashes should be placed in a metal container with a tight fitting lid. The closed container of ashes should be placed on a noncombustible floor or on the ground, away from all combustible materials, pending final disposal. If the ashes are disposed of by burial in soil or otherwise locally dispersed, they should be retained in the closed container until all cinders have thoroughly cooled.

## Blower Operation

The blower will turn on once the stove is up to temperature. This is typically 15 to 30 minutes after starting the fire. Follow the directions below to alter the blower speed.



The blower may be used to affect heat output (i.e.: to reduce heat output, turn the blower down).



Route the power cord in a location where it will not come in contact with the appliance or become hot.

## Re-Loading the Stove

Follow the directions below to minimize smoke spillage while re-loading the stove.

- 1 Open the air control all the way (push it in). Open the bypass (pull it out).
- 2 Open the door slightly. Let the airflow inside the firebox to stabilize before opening the doors fully.
- 3 Load wood onto the fire.

## Overnight Burn

This stove is large enough to accommodate burn times up to eight hours. Follow the steps below to achieve an overnight burn.

- 1 Move the air control to high burn and let the stove become hot (burn for approximately 15 minutes).
- 2 Load as much wood as possible. Use large pieces if possible.
- 3 Let the stove burn on high for 15 minutes to keep the stove hot, then turn the air control to low.
- 4 In the morning the stove should still be hot, with embers in the coal bed. Stir the coals and load small pieces of wood to re-ignite the fire, if desired.



Differences in chimney height and draft may lower overall burn times.

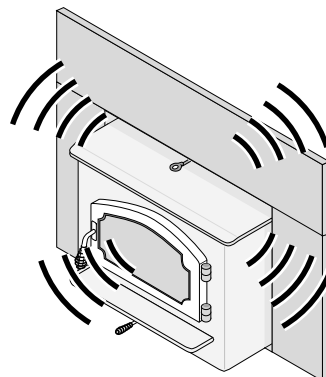
## Normal Operating Sounds

### Creaks and Clicks:

The 3/16" and 5/16" steel may creak or click when the stove heats up and cools down - this is normal.

### Blower Sounds:

The blower will make a slight "hum" as it pushes air through the stove.



## Hints for Burning

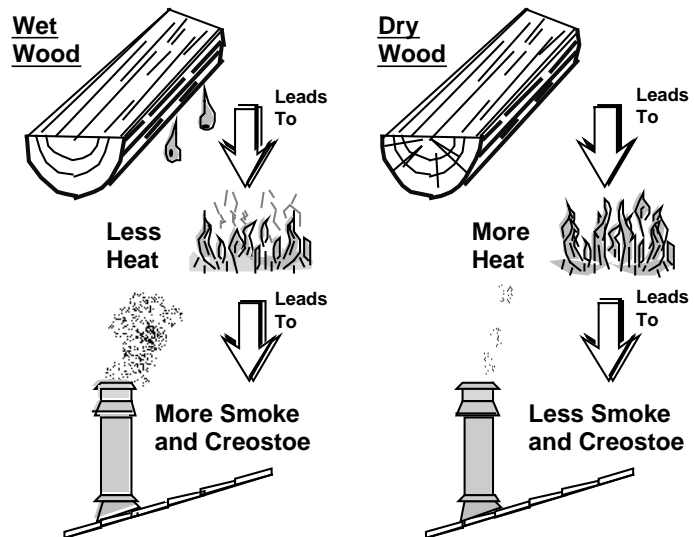
- Get the appliance hot before adjusting to low burn
- Use smaller pieces of wood during start-up and high burns to increase temperature
- Use larger pieces of wood for overnight or sustained burns
- Stack the wood tightly together to establish a longer burn
- Leave a bed of ashes (1/2" – 13mm -- deep) to allow for longer burns
- Be considerate of neighbors & the environment: burn dry wood only
- Burn small, intense fires instead of large, slow burning fires when possible
- Learn your appliance's operating characteristics to obtain optimum performance

## Selecting Wood

- Dry Wood is Key
- Dry wood burns hot, emits less smoke and creates less creosote.

### Testing Wood Moisture

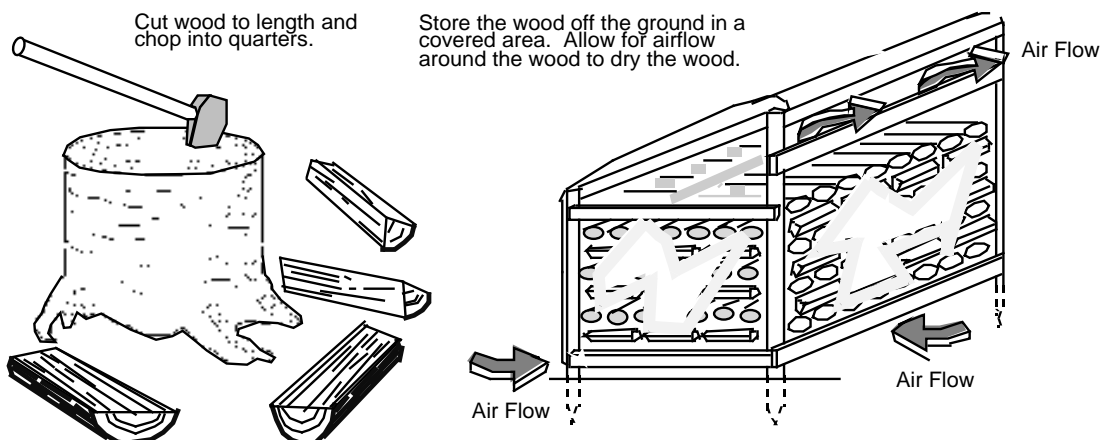
- Split wood stored in a dry area will be fully dry within a year. This insures dry wood. If purchasing wood for immediate use, test the wood with a moisture meter. Some experienced wood burners can measure wood moisture by knocking pieces together and listening for a clear "knock" and not a "thud".



## Why Dry Wood is Key

Wet wood, when burned, must release water stored within the wood. This cools the fire, creates creosote, and hampers a complete burn. Ask any experienced wood burner and he or she will agree: dry wood is crucial to good performance.

## Wood Cutting and Storage



**Troubleshooting**

<b>Problem</b>	<b>Possible Cause</b>
<b>Smoke Enters Room During Start-Up</b>	<ul style="list-style-type: none"> <li>• Open the bypass (pg. 15).</li> <li>• Open the air control (pg. 17).</li> <li>• Cold Air Blockage - burn a piece of newspaper to establish a draft.</li> <li>• If the flame is not getting enough air, a small crack in the door is all that is needed.</li> </ul>
<b>Kindling Does Not Start - Fire Smolders</b>	<ul style="list-style-type: none"> <li>• Open the bypass (pg. 15).</li> <li>• Open the air control (pg. 17).</li> <li>• Not enough starter paper - use additional newspaper if necessary.</li> <li>• If the flame is not getting enough air, a small crack in the door is all that is needed.</li> </ul>
<b>Smoke Enters Room While Re-Loading</b>	<ul style="list-style-type: none"> <li>• Open the bypass before opening the door (pg. 15).</li> <li>• Open the air control before opening the door (pg. 17).</li> <li>• Let the air stabilize before fully opening the door. Then open the door approximately 1 inch. Let air go into the firebox for a few seconds. Once the smoke appears to be flowing up the chimney consistently, open the door.</li> <li>• Insufficient Draft - Chimney height and outside conditions can negatively affect draft. In these cases a small amount of smoke may enter the home. Adding more pipe or a draft-inducing cap may help.</li> </ul>
<b>Stove Does Not Burn Hot Enough</b>	<ul style="list-style-type: none"> <li>• Wood is Wet - see the section "Selecting Wood" on page 19 for details on wood.</li> <li>• Make sure the air control is all the way open. Slide the control back and forth to insure the control is not stuck.</li> <li>• Insufficient Draft - Chimney height and outside conditions can negatively affect draft. In these cases the fire may burn slowly. Adding more pipe or a draft-inducing cap may help.</li> </ul>
<b>Blower Does Not Run</b>	<ul style="list-style-type: none"> <li>• Stove is Not Up to Temperature - This is normal. The blower will come on when the stove is hot - usually 15 to 30 minutes.</li> <li>• Electricity is Cut to the Blower - Check the household breaker or fuse to make sure it is operable.</li> </ul>

**Stove Does Not Burn Long Enough**

- Depending upon wood, draft, and other factors, the burn time may be shorter than stated. Make sure the doors are sealing and not allowing air into the firebox - See the section "Door and Glass Inspection" on page 23 for details.
- Check the ash bed for coals. Often, coals are still glowing under a slight bed of flyash. By raking these into a pile you can re-start your stove quickly.



Failure to properly maintain and inspect your appliance may reduce the performance and life of the appliance, void your warranty, and create a fire hazard.

### Daily Maintenance (while stove is in use)

#### Remove Ash (if necessary)

- Ash removal is **not** required once it builds up. A half inch (13mm) to 1" (26mm) of ash may be desirable because it slows the burn rate. Generally, remove ash once it has built up over 1". Follow the directions below to remove ash.

- Let the stove cool completely (at least two hours after the last coal has extinguished).
- Place a cloth or cardboard protector over the hearth to catch ash and protect against scratching.
- Open the doors and scoop the ash into a metal container with a tight fitting lid. The closed container of ashes should be placed on a noncombustible floor or on the ground, away from all combustible materials, pending final disposal.



Improperly disposed ashes lead to fires. Hot ashes placed in cardboard boxes, dumped in back yards, or stored in garages, are recipes for disaster.



Wood-burning stoves are inherently dirty. During cleaning have a vacuum ready to catch spilled ash (make sure ash is entirely extinguished).



There are vacuum cleaners specifically made to remove ash (even if the ash is warm). Contact your dealer for details.

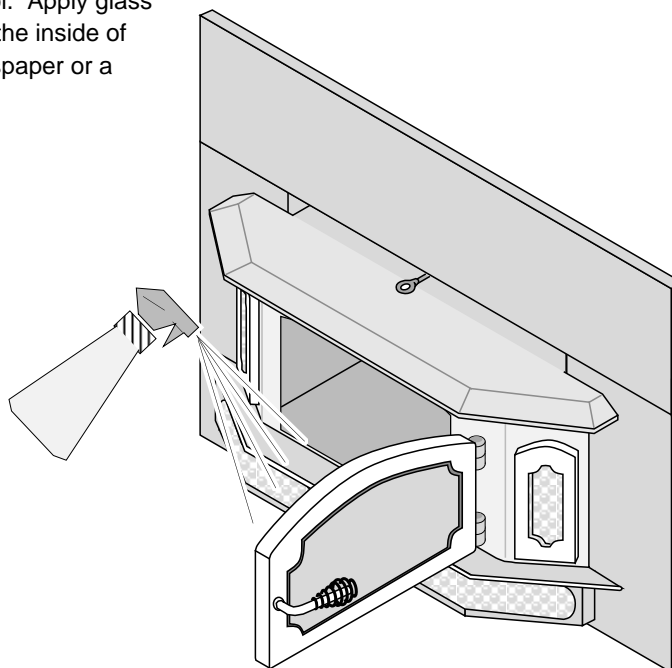
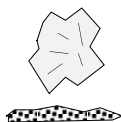
#### Clean the Glass (if necessary)

This appliance has an airwash to keep the glass clean. However, burning un-seasoned wood or burning on lower burn rates leads to dirtier glass (especially on the sides). Clean the glass by following the directions below.

Allow the stove to fully cool. Apply glass cleaner or soapy water to the inside of the glass. Wipe with newspaper or a paper towel.

#### **For Stubborn Creosote:**

Dip newspaper or a paper towel in cool ashes and wipe it on the glass. The ash acts as a light abrasive.



The glass will develop a very slight haze over time. This is normal and will not affect viewing of the fire.

## Monthly Maintenance (while appliance is in use)



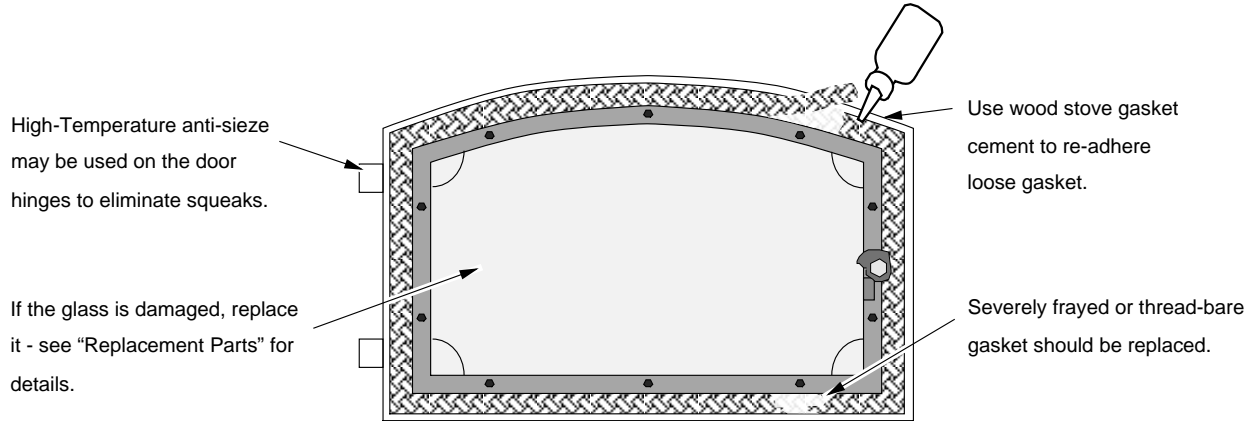
Make sure the appliance has fully cooled prior to conducting service.

### Door and Glass Inspection

The door must form an air-tight seal to the firebox for the stove to work correctly. Inspect the door gasket to make sure it forms an air-tight seal to the firebox.



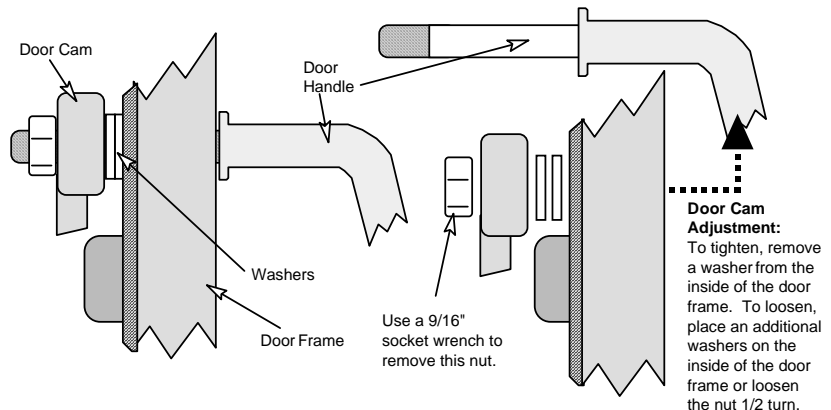
The door can be lifted off the hinges if extensive repairs are conducted.



Side View of Door Handle

Exploded View

The door latch should pull the door against the face of the stove (but not so tight as to not allow full handle rotation). If the latch requires adjustment, follow the directions below.



### Creosote - Formation and Need for Removal

When wood is burned slowly, it produces tar and other organic vapors, which combine with expelled moisture to form creosote. The creosote vapors condense in the relatively cool chimney flue of a slow-burning fire. As a result, creosote residue accumulates on the flue lining. When ignited, this creosote makes an extremely hot fire. The chimney and chimney connector should be inspected at least once every two months during the heating season to determine if a creosote buildup has occurred. If creosote has accumulated, it should be removed to reduce the risk of a chimney fire.



If you are not certain of creosote inspection, contact your dealer or local chimney sweep for a full inspection. Excess creosote buildup may cause a chimney fire, that may result in property damage, injury, or death.

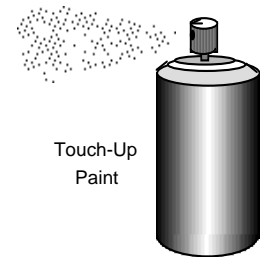
## Yearly Maintenance



Make sure the appliance has fully cooled prior to conducting service.

### Touch Up Paint

Included with the owner's pack of this appliance is a can of Stove-Brite® paint. To touch up nicks or dulled paint, apply the paint while the appliance is cool. Sand rusted or damaged areas before preparation (use 120 grit sandpaper). Clean and dry the area to prepare the surface. Wait at least one hour before starting the appliance. The touched up area will appear darker than the surrounding paint until it cures from heat. Curing will give off some fumes while curing – open windows to ventilate.

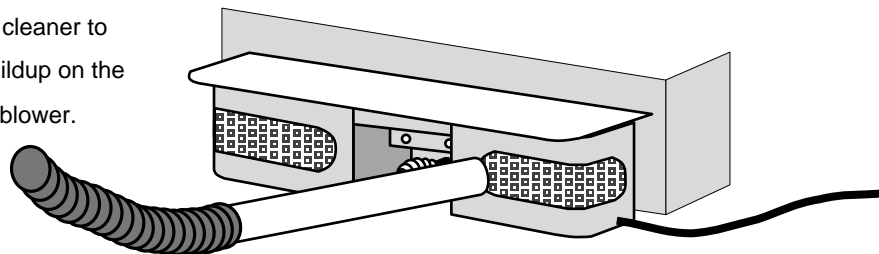


### Cleaning the Air Duct and Blower

Use a vacuum to clean the air ducts (channels). This prevents dust from burning and creating odors.

The optional blower should be vacuumed every year to remove any buildup of dust, lint, etc.

Use a vacuum cleaner to remove any buildup on the screens of the blower.



### Firebrick and Baffle Inspection

Use the illustration on page 26 as a reference for checking the following items. Make sure the appliance is cool before proceeding.

Baffle Firebricks - check the bricks along the ceiling of the firebox to make sure they are intact and have no gaps between them. Slide the bricks to eliminate any gaps.

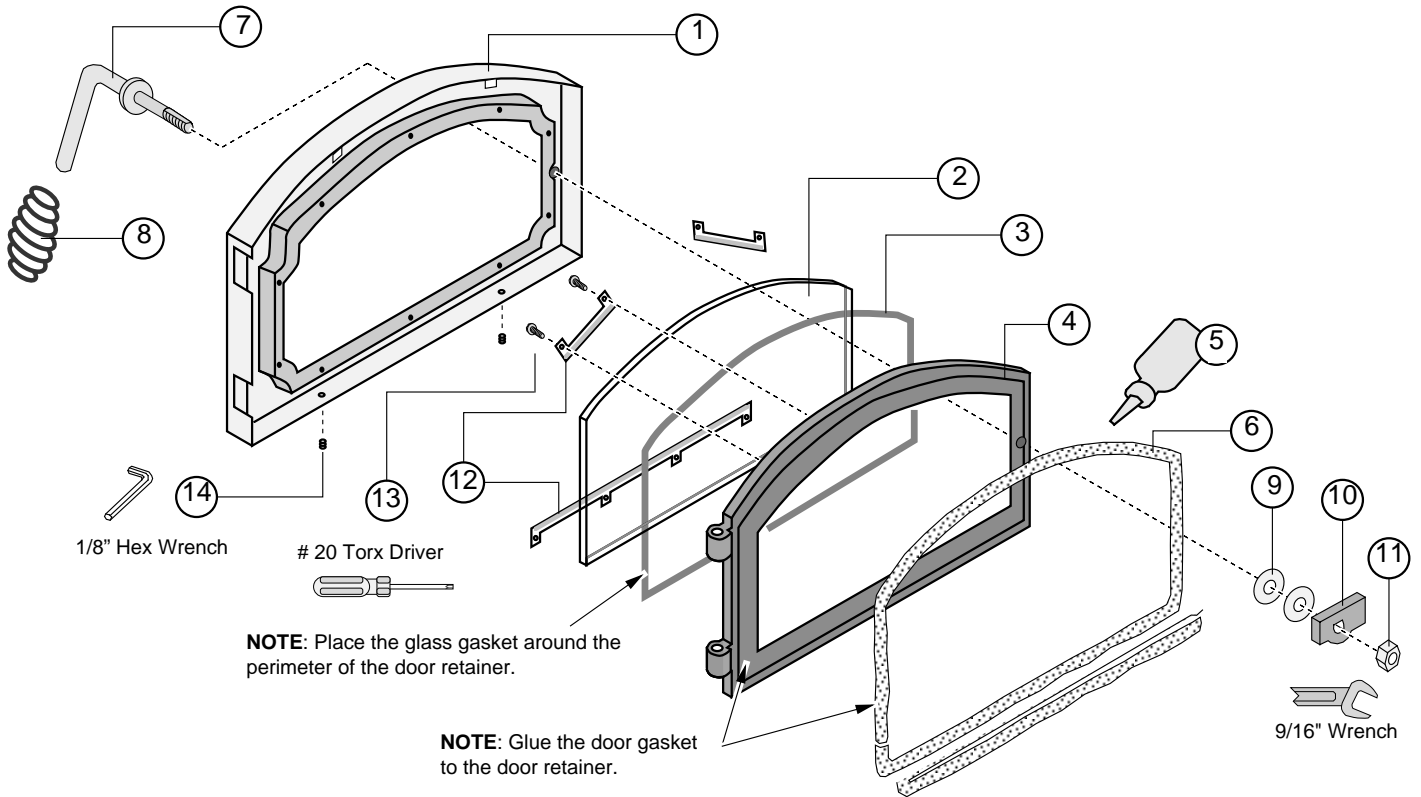
Baffle Supports - make sure the front and back baffle supports in are place and not degraded. Slight scaling or rusting of the metal is normal.

Secondary Air Tubes - Check the two air tubes and collars to make sure they are intact and not severely deteriorated. Slight scaling or rusting of the metal is normal. Make sure the push pins hold the air tubes in place.

Floor and Wall Firebricks - replace any severely damaged firebrick along the side or floor of the firebox.



**Door Parts**



ID #	Description	Qty	Part #	ID #	Description	Qty	Part #
1	Door Shell - Black Door Shell - Brass Door Shell - Pewter	1	230-00578 230-00579 230-00577	2	Glass (19-1/4" x 9-7/8")	1	173-01001
3	Glass Gasket	1	99900405	4	Door Retainer (w gasket)	1	224-23029
5	Gasket Cement	1	99900409	6	Door Gasket	1	99900406
7	Door Handle Asbly - Black Door Handle Asbly - Brass Door Handle Asbly - Pewter	1	224-14042 99900410 224-14052	8	Spring - Black Spring - Brass Spring - Pewter	1	100-14122 99300100 100-04103
9	Washers	2	100-03501	10	Cam	1	99900417
11	Nut, Brass	1	101-00007	12	Glass Clips - Top Glass Clip - Bottom	2 1	224-230022 224-230021
13	#8-32 3/8" Type F Screw	8	225-20039	14	Set Screw	2	225-20038

**Replacing the Glass**



The glass must not contact the door retainer or glass clips directly. The glass gasket and glass clip gaskets insulate the glass to prevent cracking. Do not over-tighten the glass clips.

See "Door Shell Installation" (pg. 31) for details on removing the door handle and shell.

**NOTE:** The glass gasket is placed in the groove along the inside perimeter of the door retainer. Make sure the glass clip screws are all fully tightened - they must be flush with the door retainer for the door shell to install.

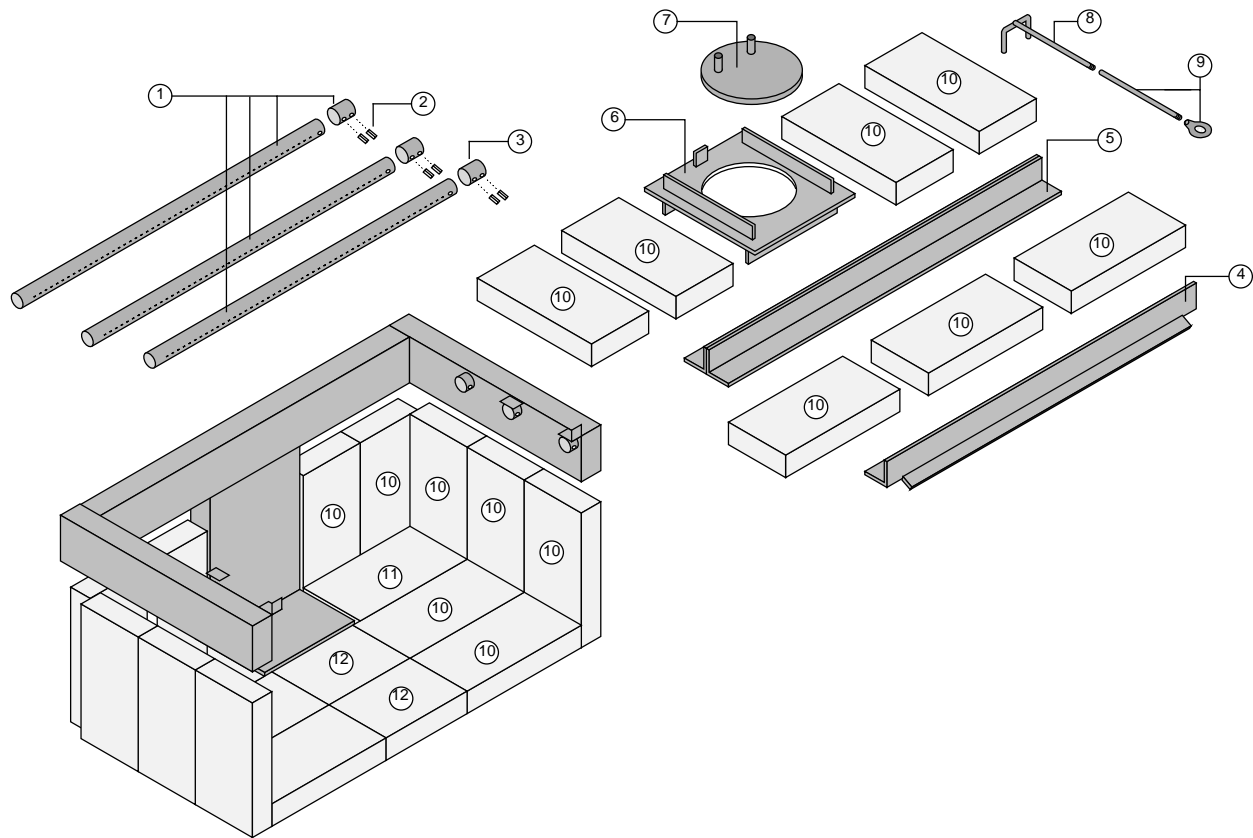
**Replacing the Door Gasket**

The door gasket inserts into the outer groove of the door retainer. Stove gasket cement holds it in place. Before installing, remove any residual cement. Lay the gasket in place (start at the lower left corner) and cut off any excess gasket (do not stretch the gasket. The cement fully cures with heat from the stove. You may need to open and close the door repeatedly to get the gasket to seat fully.

**Replacing the Door Handle**

See the illustration above for a component list (see pg. 25 for details on adjusting the door).

## Firebox Parts



ID #	Description	Qty	Part #	ID #	Description	Qty	Part #
1	Air Tubes & Sleeve	1	98900210	2	Air Tube Roll Pins	6	98900357
3	Air Tube Retainer Sleeve	3	100-11001	4	Baffle Support, Front "Y"	1	99900277
5	Baffle Support, Rear "T"	1	99900278	6	Damper Plate	1	98900320
7	Damper Slider	1	98900338	8	Damper Yoke	1	98900315
9	Damper Extension Rod with Pull Ring	1	98900334	10	Brick - 9" x 4.5" un-cut	21	175-00001 (1) 98900102 (9)
11	Brick, Cut - 8.25" x 4.5"	2	251-00010	12	Brick, Cut - 6.25" x 4.5"	2	251-00011

### Floor and Side Firebrick

**Do not pry firebrick - they chip and crack easily.** Remove the floor firebricks first. The side firebrick are removed later because they are pinned in place by the floor firebrick. Clean the firebox prior to replacing the firebrick.

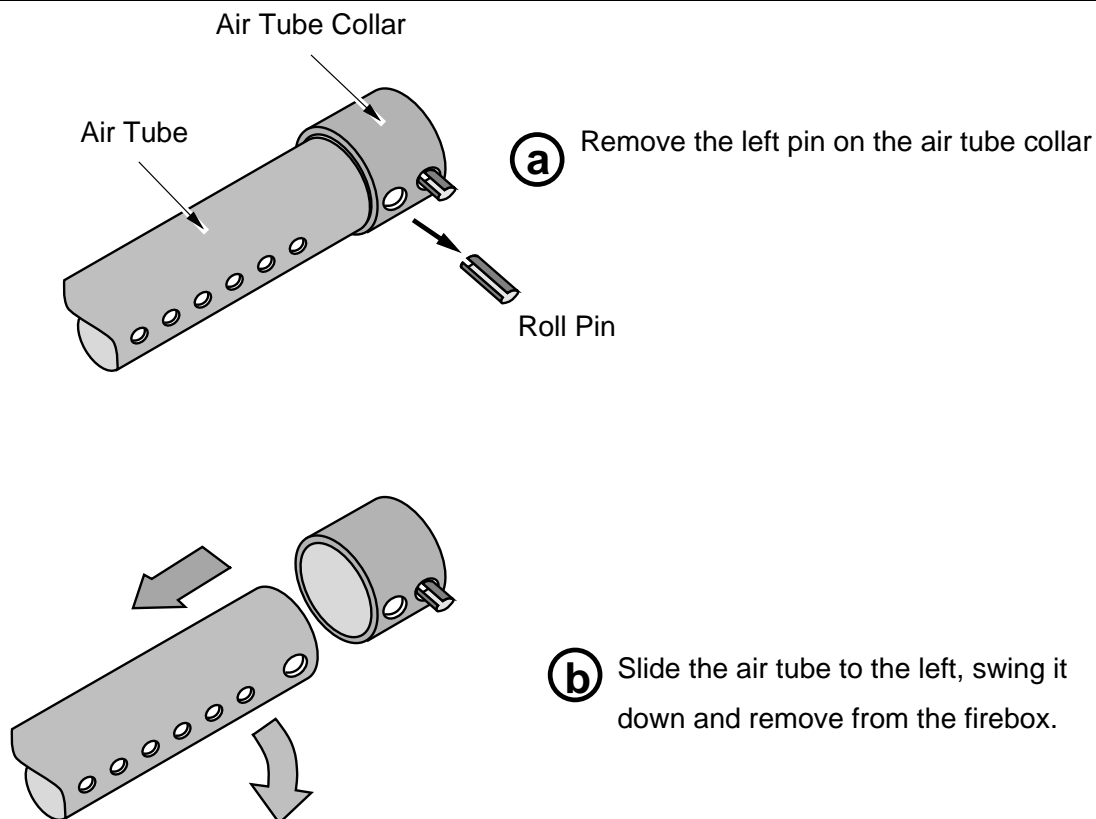
## Baffle Removal & Replacement

- 1 Lift up on the front portion of the front three firebricks.
- 2 Lift the front baffle support "Y" and rotate it forward until it can be removed.
- 3 Slide the center front firebrick forward and out the door opening. Then slide the side front firebricks towards the middle then out in the same manner.
- 4 Slide the center baffle support forward and out of the firebox.
- 5 Slide the rear firebrick forward and out of the firebox.  
NOTE: When the center rear firebrick are slid forward the damper plate will come to rest on the rear secondary air tube and rear air channel.
- 6 Slide the damper slider all the way forward.
- 7 Reach into the firebox and push up on the damper yoke until the damper yoke separates from the damper slider. Remove both the damper slider and damper plate by sliding them between the front two secondary air tubes.

### REPLACEMENT INSTRUCTIONS:

- 1 Place the damper plate above the secondary air tubes in the rear center of the firebox.
- 2 Position the damper slider so the damper yoke inserts into the two tubes on the damper slider (make sure to have correct orientation). Then slide the damper slider over the damper plate until both are centered in the firebox.
- 3 Follow the instructions above in reverse order, starting with step number 5.

## Air Tube Removal & Replacement



To register your TRAVIS INDUSTRIES, INC. 7 Year Warranty, complete the enclosed warranty card and mail it within **ten (10)** days of the appliance purchase date to: TRAVIS INDUSTRIES, INC., 4800 Harbour Pointe Blvd. SW, Mukilteo, WA 98275. TRAVIS INDUSTRIES, INC. warrants this gas appliance (appliance is defined as the equipment manufactured by Travis Industries, Inc.) to be defect-free in material and workmanship to the original purchaser from the date of purchase as follows:

Check with your dealer in advance for any costs to you when arranging a warranty call.  
Mileage or service charges are not covered by this warranty. This charge can vary from store to store.

### Years 1 & 2 - COVERAGE: PARTS & LABOR

#### Firebox Assembly:

Firebox, Baffle Supports, Air Tubes, Air Channels, Convection Chamber

#### Door Assembly:

Solid Brass or Cast Door, Latch Assembly, Glass Retainers

#### Plated Finish

Plated Door, Legs, etc... See "Conditions & Exclusions" # 9 below.

#### Air Control Assembly

Slider Plate, Pressure Plate

**Exclusions:** Paint, Gasketing

#### Ceramic Glass

Glass (breakage from thermal shock)

#### Firebrick

Breakage from thermal shock

#### Accessories

Legs, Pedestal, Panels, Blower

#### Re-Installation Allowance

In cases where heater must be removed from home for repairs, a partial cost of re-installation is covered (pre-authorization required)

#### One-Way Freight Allowance

One-way freight allowance on pre-authorized repair done at factory is covered.

### Years 3 Through 5 - COVERAGE: PARTS & LABOR

#### Firebox Assembly:

Firebox, Baffle Supports, Air Tubes, Air Channels, Convection Chamber

#### Air Control Assembly

Slider Plate, Pressure Plate

**Exclusions:** Paint, Gasketing, Plated Finish, Accessories (Legs, Pedestal, Panels, Blower), Glass, Firebrick, Re-Installation Allowance

#### Door Assembly:

Solid Brass or Cast Door, Latch Assembly, Glass Retainers

#### One-Way Freight Allowance

One-way freight allowance on pre-authorized repair done at factory is covered.

### Years 6 & 7 - COVERAGE: PARTS ONLY

#### Firebox Assembly:

Firebox, Baffle Supports, Air Tubes, Air Channels, Convection Chamber

#### Door Assembly:

Solid Brass or Cast Door, Latch Assembly, Glass Retainers

#### Air Control Assembly

Slider Plate, Pressure Plate

**Exclusions:** Paint, Gasketing, Plated Finish, Accessories (Legs, Pedestal, Panels, Blower), Glass, Firebrick, Re-Installation Allowance, One-Way Freight Allowance, Labor

### CONDITIONS & EXCLUSIONS

- This new appliance must be installed by a qualified installer. It must be installed, operated, and maintained at all times in accordance with the instructions in the Owner's Manual. Any alteration, willful abuse, accident, neglect, or misuse of the product shall nullify this warranty.
- This warranty is nontransferable, and is made to the ORIGINAL purchaser, provided that the purchase was made through an authorized Travis dealer.
- Discoloration and some minor expansion, contraction, or movement of certain parts and resulting noise, is normal and not a defect and, therefore, not covered under warranty. Over-firing (operation where the steel may glow red) of this appliance can cause serious damage and will nullify this warranty.
- The warranty, as outlined within this document, does not apply to the chimney components or other Non-Travis accessories used in conjunction with the installation of this product. If in doubt as to the extent of this warranty, contact your authorized Travis retailer before installation.
- Travis Industries will not be responsible for inadequate performance caused by environmental conditions such as nearby trees, buildings, roof tops, wind, hills or mountains or negative pressure or other influences from mechanical systems such as furnaces, fans, clothes dryers, etc.
- This Warranty is void if:
  - The unit has been operated in atmospheres contaminated by chlorine, fluorine or other damaging chemicals.
  - The unit is subject to submersion in water or prolonged periods of dampness or condensation.
  - Any damage to the unit, combustion chamber, heat exchanger or other components due to water, or weather damage which is the result of, but not limited to, improper chimney/venting installation.
- Exclusions to this 7 Year Warranty include: injury, loss of use, damage, failure to function due to accident, negligence, misuse, improper installation, alteration or adjustment of the manufacturer's settings of components, lack of proper and regular maintenance, damage incurred while the appliance is in transit, alteration, or act of God.
- This 7 Year warranty excludes damage caused by normal wear and tear, such as paint discoloration or chipping, worn or torn gasketing, chipped or cracked firebrick, etc. Also excluded is damage to the unit caused by abuse, improper installation, modification of the unit, or the use of fuel other than that for which the unit is configured (use cord wood only).
- Damage to brass or plated surfaces caused by fingerprints, scratches, melted items, or other external sources left on the surfaces from the use of abrasive cleaners is not covered in this warranty. Damage to the surfaces from over-firing (operation where the steel may glow red) is not covered in this warranty.
- TRAVIS INDUSTRIES, INC. is free of liability for any damages caused by the appliance, as well as inconvenience expenses and materials. Incidental or consequential damages are not covered by this warranty. In some states, the exclusion of incidental or consequential damage may not apply.
- This warranty does not cover any loss or damage incurred by the use or removal of any component or apparatus to or from the Travis appliance without the express written permission of TRAVIS INDUSTRIES, INC. and bearing a TRAVIS INDUSTRIES, INC. label of approval.
- Any statement or representation of Travis products and their performance contained in Travis advertising, packaging literature, or printed material is not part of this 7 year warranty.
- This warranty is automatically voided if the appliance's serial number has been removed or altered in any way. If the appliance is used for commercial purposes, it is excluded from this warranty.
- No dealer, distributor, or similar person has the authority to represent or warrant Travis products beyond the terms contained within this warranty. TRAVIS INDUSTRIES, INC. assumes no liability for such warranties or representations.
- Travis Industries will not cover the cost of the removal or re-installation of hearths, facing, mantels, venting or other components.
- If for any reason any section of this warranty is declared invalid, the balance of the warranty remains in effect and all other clauses shall remain in effect.
- This 7 year warranty is the only warranty supplied by Travis Industries, Inc., the manufacturer of the appliance. All other warranties, whether express or implied, are hereby expressly disclaimed and purchaser's recourse is expressly limited to the warranties set forth herein.

### IF WARRANTY SERVICE IS NEEDED:

- If you discover a problem that you believe is covered by this warranty, you **MUST REPORT** it to your Travis dealer **WITHIN 30 DAYS**, giving them proof of purchase, the purchase date, and the model name and serial number.
- Travis Industries has the option of either repairing or replacing the defective component.
- If your dealer is unable to repair your appliance's defect, he may process a warranty claim through TRAVIS INDUSTRIES, INC., including the name of the dealership where you purchased the appliance, a copy of your receipt showing the date of the appliance's purchase, and the serial number on your

appliance. At that time, you may be asked to ship your appliance, freight charges prepaid, to TRAVIS INDUSTRIES, INC. TRAVIS INDUSTRIES, INC., at its option, will repair or replace, free of charge, your appliance if it is found to be defective in material or workmanship within the time frame stated within this 7 year warranty. TRAVIS INDUSTRIES, INC. will return your appliance, freight charges (years 1 to 5) prepaid by TRAVIS INDUSTRIES, INC., to your regional distributor, or dealership.

4. Check with your dealer in advance for any costs to you when arranging a warranty call. Mileage or service charges are not covered by this warranty. This charge can vary from store to store.

Listing Label

DO NOT REMOVE THIS LABEL

CONTACT LOCAL BUILDING OR FIRE OFFICIALS ABOUT INSTALLATION AND RESTRICTIONS IN YOUR AREA.  
SUITABLE FOR USE IN MASONRY FIREPLACES.



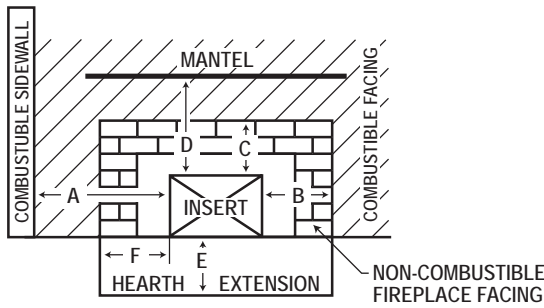
MODEL:  
**FREEDOM BAY**  
Certified for USA and Canada

SERIAL NO:



CONFORMS TO UL STD 1482; CERTIFIED TO ULC STD S628-1993

MASONRY FIREPLACE INSTALLATION



Minimum Clearance to Combustibles and Hearth Requirements	Masonry Fireplace Installations
A.	15 in. / 381 mm
B.	13.5 in. / 343 mm
C.	30 in. / 762 mm
With Shield	17 in. / 432 mm
D.	32 in. / 813 mm
With Shield	19 in. / 483 mm
E.	US: 16 in. (407 mm) / CAN: 18 in. (458 mm)
F.	US: 6 in. (153 mm) / CAN: 8 in. (204 mm)

Electrical Rating: 115V., 60 Hz, 1.8 Amps  
Blower No: #99000125  
Do not route power cord under or in front of appliance.  
Replace glass only with 5mm neoceramic or ceramic glass.



Manufactured by:  
TRAVIS INDUSTRIES, INC.  
4800 Harbour Pointe Blvd. SW  
Mukilteo, WA 98275  
www.travisproducts.com

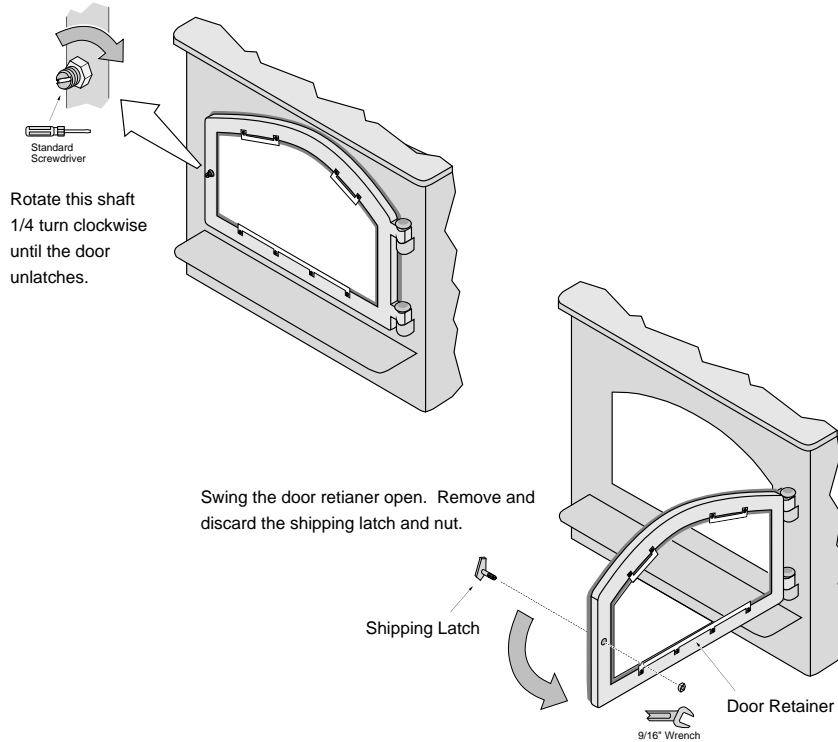
U.S. ENVIRONMENTAL PROTECTION AGENCY  
Certified to comply with July 1990 particulate emission standards.

Made in U.S.A.      2012   2013   2014   2015   Jan   Feb   Mar   Apr   May   Jun   Jul   Aug   Sep   Oct   Nov   Dec

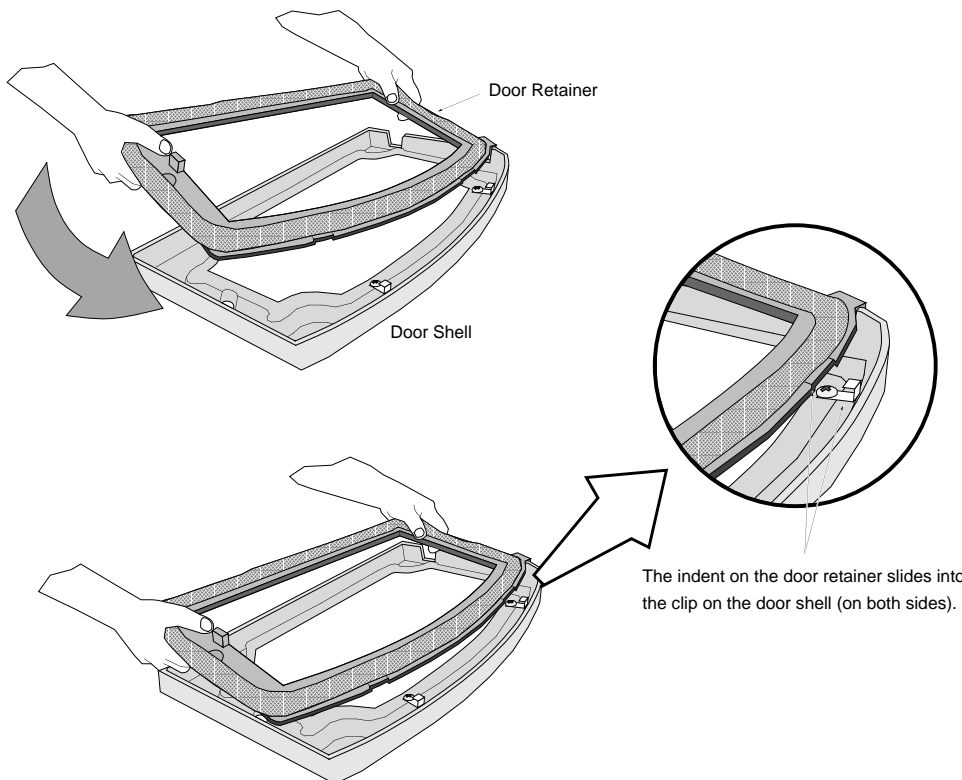
0904

**Door Shell Installation**

1. Remove the door retainer shipping latch following the directions below.

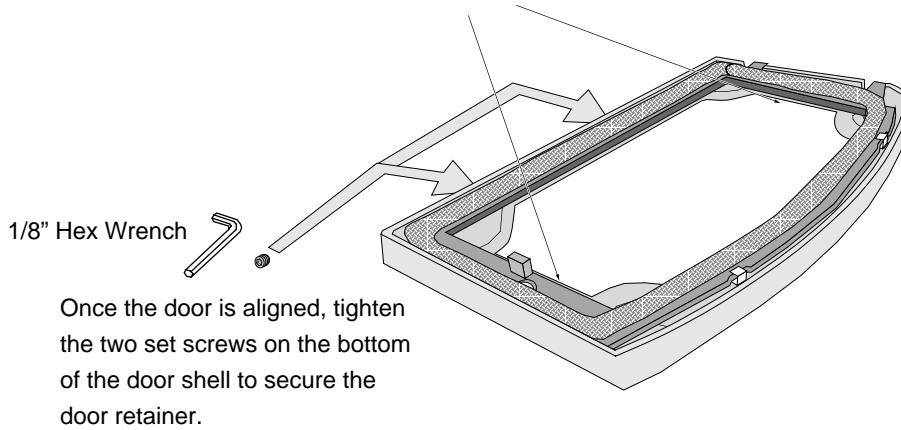


2. Place the door shell face down on a non-scratching surface. Lift the door retainer off the hinges. Insert the retainer into the door shell following the directions below. Note how the door shell is guided into place

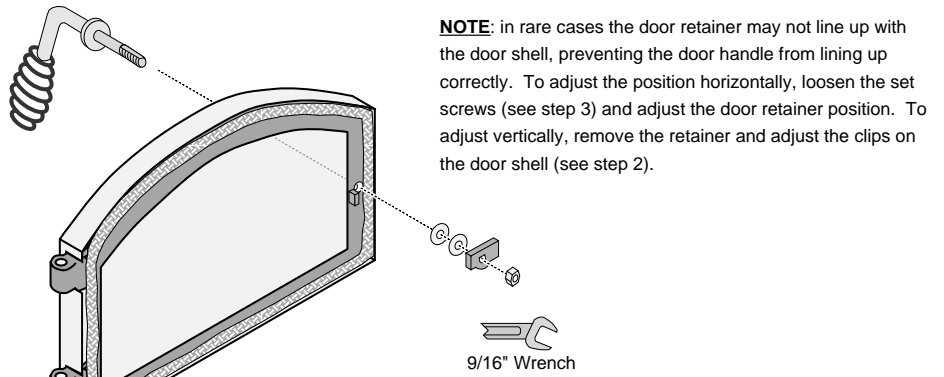


- Attach the retainer to the shell following the directions below.

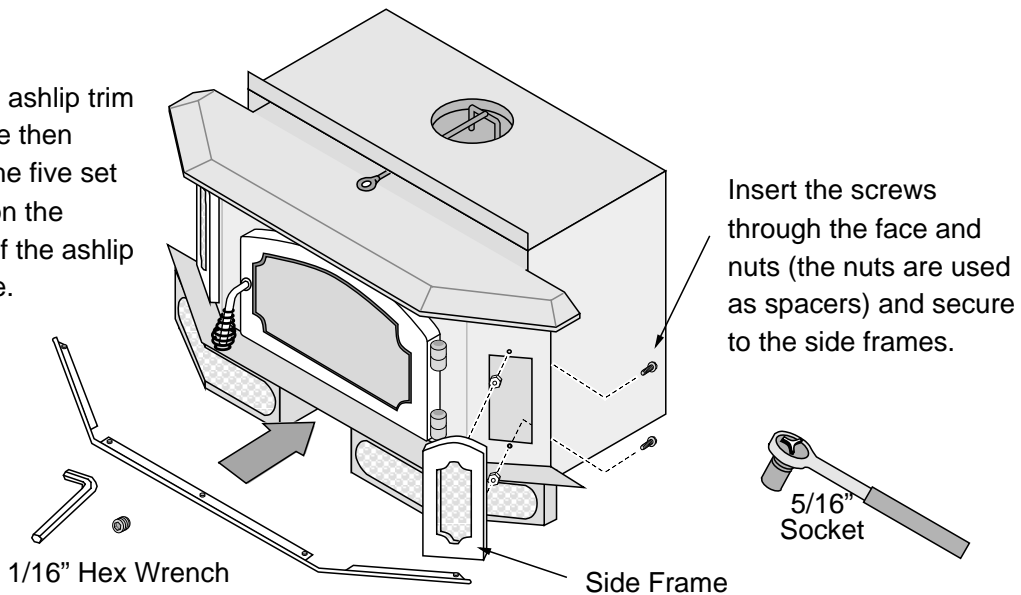
Make sure the door retainer is centered on the door shell.  
You can gauge the alignment by looking at the gaps here.



- Attach the door handle following the directions to the right.
- Replace the door on the hinges and latch the door.
- Attach the ashlip trim and side frames following the directions below.



Slide the ashlip trim into place then tighten the five set screws on the bottom of the ashlip to secure.





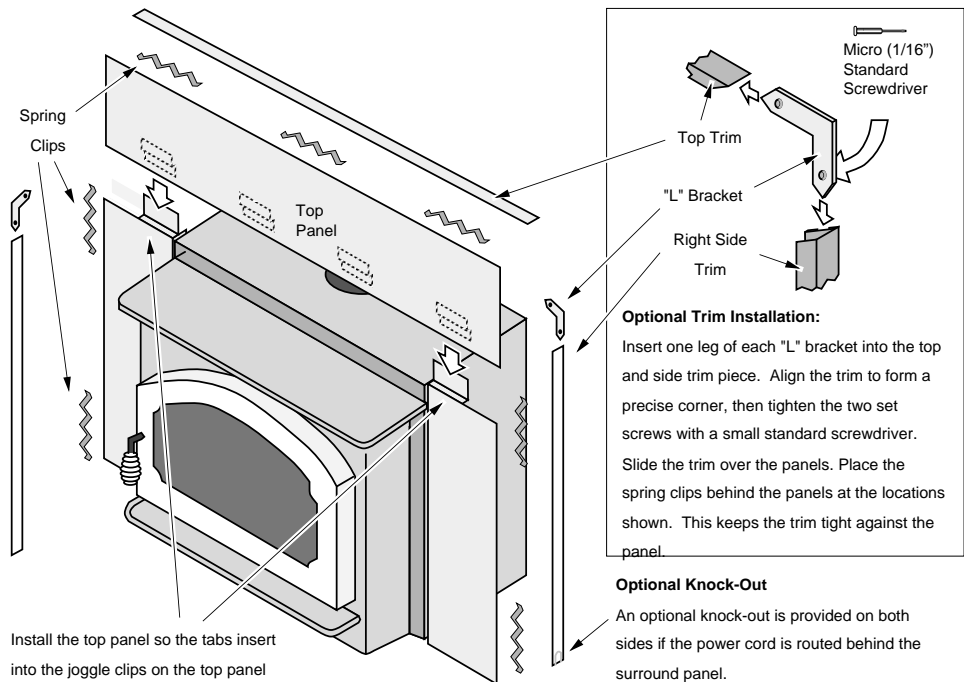
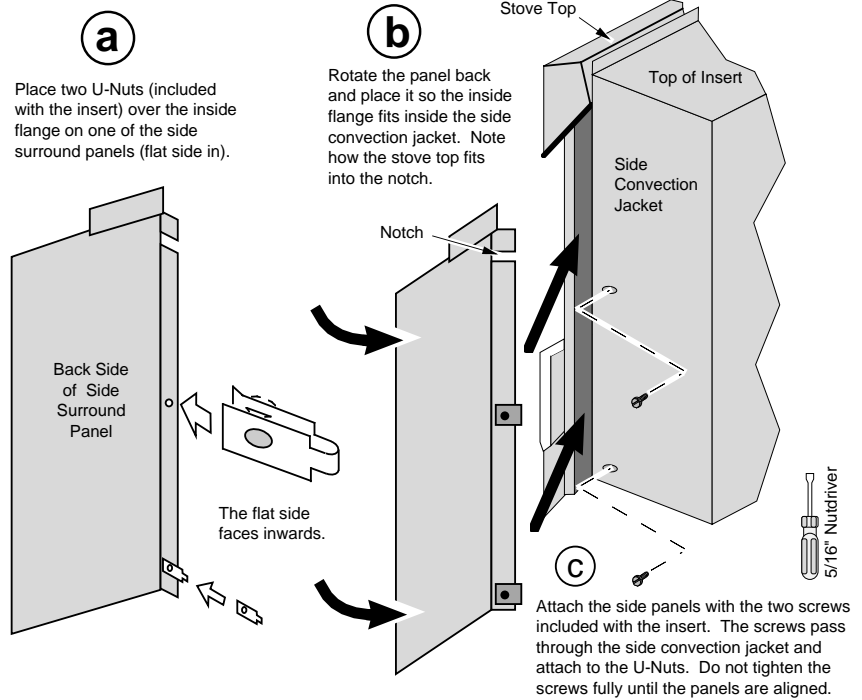
## Surround Panels

**NOTE:** Install the door shell (and side frames) prior to installing the surround panels.

SURROUND PANEL SIZE	HEIGHT	WIDTH	PART #
8" (204mm)	29-1/2" (750mm)	45-3/8" (1153mm)	99300293
10" (254mm)	31-1/2" (801mm)	49-3/8" (1255mm)	99300294
12" (305mm)	33-1/2" (851mm)	53-3/8" (1356mm)	99300295

### Installation Instructions

1. With the insert 12" (305mm) from the fireplace, install the side surround panels (see the directions to the right).
2. Adjust the position of the side panels so they are: 1) flush with the bottom of the insert; 2) both the same distance back from the front of the insert; 3) perpendicular to the floor (use the top panel, if necessary, to judge alignment). Tighten the screws that hold the side panels in place.
3. Place the insert into the fireplace and connect the flue (if using a positive or direct connection). Install the top panel and trim following the directions below.



2. Push the insert into the fireplace, allowing the insulation to form a seal between the panels and the fireplace. Use a screwdriver to tuck any exposed insulation behind the panels.

Air Control (Burn Rate).....	17	Opening the Door.....	14
Air Tube Part Number .....	26	Operation .....	14
Air Tube Removal & Replacement .....	27	Over-Firing the Stove .....	14
Ash Disposal .....	22	Overnight Burn .....	18
Baffle Parts .....	26	Paint (Touch-Up Paint).....	24
Baffle Removal and Replacement .....	27	Paint Curing .....	14
Blower Cleaning .....	24	Re-Loading the Stove .....	18
Blower Does Not Run (Troubleshooting).....	20	Safety Label .....	30
Blower Installation .....	10	Safety Precautions .....	4
Blower Operation (optional).....	18	Smell .....	14
Burn Rate.....	17	Smoke Enters Room (Troubleshooting) .....	20
Chimney Cleaning .....	23	Sounds (Normal Operating Sounds) .....	18
Chimney Inspection (Creosote).....	23	Starting a Fire.....	16
Cleaning the Ash.....	22	Stove Does Not Burn Long Enough .....	20
Cleaning the Glass.....	22	Stove is Not Hot Enough (Troubleshooting) .....	20
Clearances .....	9	Table of Contents.....	3
Creosote Check .....	23	Touch-Up Paint .....	24
Daily Maintenance.....	22	Troubleshooting (Operation) .....	20
Dimensions .....	6	Warranty Card.....	2
Door and Glass Inspection .....	23	Warranty.....	28
Door Assembly.....	25	Wood.....	19
Door Gasket Replacement.....	25	Yearly Maintenance.....	24
Door Handle Replacement .....	25		
Door Opening.....	14		
Door Parts .....	25		
Draft Performance.....	9		
Emissions.....	6		
EPA Approval.....	6		
Features.....	6		
Fire Starting.....	16		
Firebox Assembly.....	26		
Firebox Parts.....	26		
Firebrick and Baffle Inspection .....	24		
Firebrick Removal & Replacement.....	26		
Floor Protection Requirements (Hearth).....	9		
Glass Cleaning.....	22		
Glass Replacement.....	25		
Hearth (Floor Protection).....	9		
Heating Specifications.....	6		
Hints for Burning .....	19		
Installation (planning) .....	7		
Installation Options.....	6		
Installation .....	7		
Listing Label.....	30		
Maintenance.....	22		
Masonry Fireplace.....	9		
Monthly Maintenance .....	23		
Noise (Normal Operating Sounds) .....	18		