

PRODUCT SPECIFICATIONS

CFX24 Chesapeake Vent Free System



ACTUAL DIMENSIONS

52 1/2"W x 44"H x 15"D (1334 mm x 1118 mm x 381 mm)
Viewing area: 19 3/4"W x 11 3/4"H (232 in.²)
(502 mm x 299 mm, 1497 cm²)

TECHNICAL INFORMATION

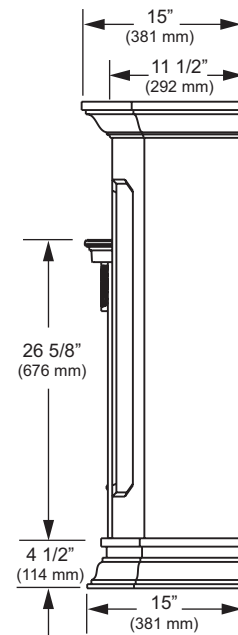
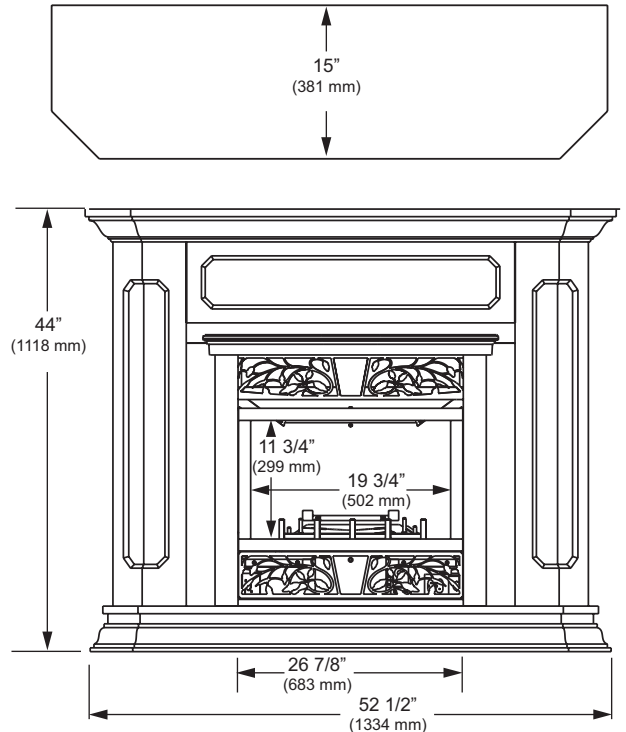
BTU/HR Input: 22,000 Max. / 17,000 Min. (Natural and LP)
Ignition System: Millivolt Control - Standing Pilot w/piezo igniter
Gas Type: Natural or LP
Thermal Efficiency: Up to 99%
Clearance to Combustibles:
Fireplace - 0" to stand offs on all sides
Top of Firebox Opening to Ceiling - 42" to combustibles
Firebox Opening to Side Wall - 9" to combustibles
Front of Firebox - 36"
Hearth Requirement: 0" Clearance
Gas Line: 18" Flex line w/shut off 1/2" FPT
CSA Design Certified

FEATURES

Colonial designed face, Triple Play Burner System® ember bed burner with loose embers, glowing logs, and yellow flame, 3 piece ceramic fiber logs, junction box, mesh screen front, Barrington wood cabinet surround in unfinished or dark walnut.

FIELD INSTALLED ACCESSORIES

- Cottage Clay Firebrick
- Thermostat Blower (160 cfm) - BLO24T
- Remote Controls - RCB(E), RCMT, TSMT, TLM, WMTD, RCST(E), RCT, TSST, RCSTEB, WWTD, WT



A Brand of Monessen Hearth Systems Co.
149 Cleveland Drive, Paris, Kentucky 40361
www.monessenhearth.com

To avoid personal injury or property damage, the product described by this brochure must be installed, operated and maintained in strict compliance with the instructions packaged with the product and all applicable building or fire codes. Contact local building or fire officials about restrictions and installation inspection requirements. All photographs and drawings on this brochure are for illustrative purposes only and are not intended for, nor should they be used as a substitute for the instructions packaged with the unit. Appearance and specifications of the product are subject to change without notice. v2 © 2011 Monessen Hearth Systems Co.