

INSTALLER: THESE INSTRUCTIONS MUST BE CONVEYED TO AND REMAIN WITH THE HOMEOWNER.



INSTALLATION AND OPERATION INSTRUCTIONS

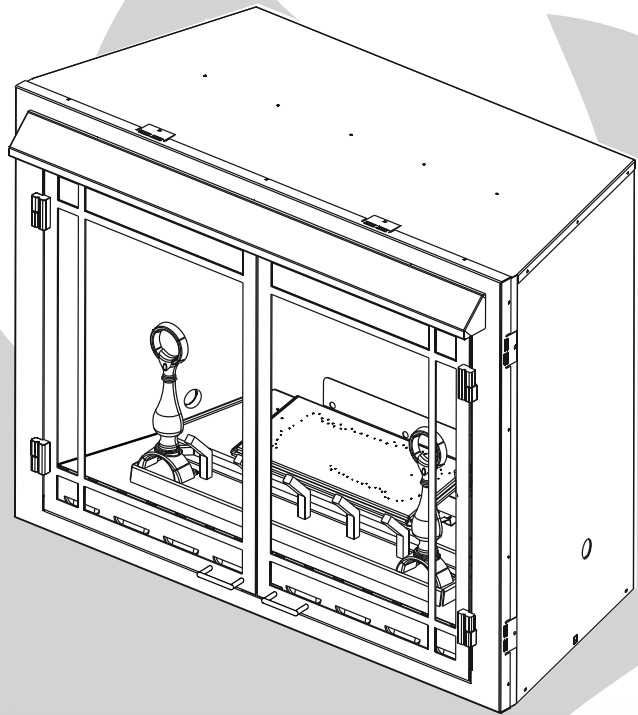
CERTIFIED UNDER CANADIAN AND AMERICAN NATIONAL STANDARDS: CR97-003, CAN-2.21-M85, IAS US.4-96

GSS42N NATURAL GAS

GSS42P PROPANE

OUTDOOR GAS FIREPLACE

CERTIFIED FOR CANADA AND UNITED STATES USING ANSI/CSA METHODS.



SAFETY INFORMATION

WARNING: If the information in these instructions are not followed exactly, a fire or explosion may result causing property damage, personal injury or loss of life.

- Do not store or use gasoline or other flammable vapors and liquids in the vicinity of this or any other appliance.
- **WHAT TO DO IF YOU SMELL GAS:**
 - Do not try to light any appliance.
 - Do not touch any electrical switch; do not use any phone in your building.
 - Immediately call your gas supplier from a neighbour's phone. Follow the gas supplier's instructions.
 - If you cannot reach your gas supplier, call the fire department.
- Installation and service must be performed by a qualified installer, service agency or the supplier.

WARNING: FOR OUTDOOR USE ONLY



Wolf Steel Ltd., 24 Napoleon Rd., Barrie, ON L4M 4Y8 Canada • (705)721-1212 • fax(705)722-6031
www.napoleonfireplaces.com • ask@napoleon.on.ca

TABLE OF CONTENTS

PG 3-4	INTRODUCTION Warranty General Instructions General Information Dimensions	12	OPERATION / MAINTENANCE Maintenance Cleaning Lighting Instructions Venturi Adjustment
4-7	INSTALLATION Gas Piping Optional Remote Wall Switch Gas Inlet Locations Framing Minimum Clearance to Combustibles Minimum Mantel Clearances Combustion and Ventilation Air Nailing Tab Installation	13	REPLACEMENTS Replacement Parts Accessories
7-11	FINISHING Andiron and Grate Assembly Logo Placement Log Placement Glowing Embers Charcoal Lumps / Lava Rock Hood Install (Optional) Remote Installation Rating Plate	14	TROUBLE SHOOTING GUIDE
		15	FIREPLACE SERVICE HISTORY
		16	NOTES

WARNING: Improper installation, adjustment, alteration, service or maintenance can cause injury or property damage. Read the installation, operating and maintenance instructions thoroughly before installing or servicing this equipment.

PLEASE RETAIN THIS MANUAL FOR FUTURE REFERENCE

WARNING

- Do not burn wood or other materials in this enclosure.
- Adults and especially children should be alerted to the hazards of high surface temperatures and should stay away to avoid burns or clothing ignition. Supervise young children when they are in the same area as the enclosure.
- Clothing or other flammable material should not be placed on or near the enclosure.
- Due to high temperatures, the enclosure should be located out of traffic.
- Ensure you have incorporated adequate safety measure to protect infants/toddlers from touching hot surfaces.
- Even after the fireplace is out, the glass and/or screen will remain hot for an extended period of time.
- Check with your local hearth specialty dealer for safety screens and hearth guards to protect children from hot surfaces.
- Any safety screen or guard removed for servicing must be replaced prior to operating the enclosure.
- It is imperative that the control compartments, burners and circulating blower and its passageway in the enclosure is kept clean. The fireplace should be inspected before use and at least annually by a qualified service person. The enclosure area must be kept clear and free from combustible materials, gasoline and other flammable vapours and liquids.
- Under no circumstances should this enclosure be modified.
- Do not use this enclosure if any part has been under water. Immediately call a qualified service technician to inspect the enclosure and to replace any part of the control system and any gas control which has been under water.
- Do not operate the fireplace with cracked or broken glass. Replacement of the glass should be done by a licensed or qualified service person.
- Do not strike or slam shut the enclosure glass doors.
- Provide adequate ventilation and combustion air. Refer to unvented room heaters installation instructions. Never obstruct the front opening of the enclosure.
- Furniture or other objects must be kept a minimum of 4 feet away from the front of the enclosure.
- Do not use a blower insert, heat exchanger insert or other accessory not approved for use with this enclosure.
- This fireplace is only for use with the type of gas indicated on the rating plate.
- The gas log heater must be secured to the enclosure floor to ensure that the position is not changed while adjusting controls.
- Only doors / optional fronts certified with the unit are to be installed on the fireplace.
- This enclosure uses and requires a fast acting thermocouple. Replace only with a fast acting thermocouple supplied by Wolf Steel Ltd.
- The burner must be replaced prior to the appliance being put into operation if it is evident the burner is damaged. Replace only with a burner supplied by Wolf Steel Ltd.

NOTE: Changes, other than editorial, are denoted by a vertical line in the margin.

*NAPOLEON® products are manufactured under the strict Standard of the world recognized
ISO 9001 : 2000 Quality Assurance Certificate.*

NAPOLEON® products are designed with superior components and materials, assembled by trained craftsmen who take great pride in their work. The burner and valve assembly are leak and test-fired at a quality test station. Once assembled the complete fireplace is thoroughly inspected by a qualified technician before packaging to ensure that you, the customer, receives the quality product that you expect from NAPOLEON®.

NAPOLEON® GAS FIREPLACE 5 YEAR LIMITED WARRANTY

All stainless steel components of your new NAPOLEON® gas fireplaces are warranted against defects for five years.

All parts such as gas valves, logs, gasketing are covered and NAPOLEON® will provide replacement parts free of charge during the first year of the limited warranty.

Labour related to warranty repair is covered free of charge during the first year. Repair work, however, requires the prior approval of an authorized company official. Labour costs to the account of NAPOLEON® are based on a predetermined rate schedule and any repair work must be done through an authorized NAPOLEON® dealer.

CONDITIONS AND LIMITATIONS

NAPOLEON® warrants its products against manufacturing defects to the original purchaser only – i.e., the individual or legal entity (registered customer) whose name appears on the warranty registration card filed with NAPOLEON® – provided that the purchase was made through an authorized NAPOLEON® dealer and is subject to the following conditions and limitations:

This limited warranty applies only while the unit remains at the site of original installation, and only if the unit is installed in Canada or the United States.

This factory warranty is nontransferable and may not be extended whatsoever by any of our representatives.

The enclosure must be installed by a licensed, authorized service technician or contractor. Installation must be done in accordance with the installation instructions included with the product and all local and national building and fire codes.

This limited warranty does not cover damages caused by misuse, lack of maintenance, accident, alterations, abuse or neglect and parts installed from other manufacturers will nullify this warranty.

This limited warranty further does not cover any scratches, dents, corrosion or discolouring caused by excessive heat, abrasive and chemical cleaners, mechanical breakage of PHAZER™ logs and embers.

In the first year only, this warranty extends to the repair or replacement of warranted parts which are defective in material or workmanship provided that the product has been operated in accordance with the operation instructions and under normal conditions.

After the first year, with respect to this Limited Warranty, NAPOLEON® may, at its discretion, fully discharge all obligations with respect to this warranty by refunding to the original warranted purchaser the wholesale price of any warranted but defective part(s).

After the first year, NAPOLEON® will not be responsible for installation, labour or any other costs or expenses related to the reinstallation of a warranted part, and such expenses are not covered by this warranty.

Notwithstanding any provisions contained in this Limited Warranty, NAPOLEON'S responsibility under this warranty is defined as above and it shall not in any event extend to any incidental, consequential or indirect damages.

This warranty defines the obligations and liability of NAPOLEON® with respect to the NAPOLEON® gas fireplace and any other warranties expressed or implied with respect to this product, its components or accessories are excluded.

This limited warranty does not cover damages resulting from the use of components not supplied with the fireplace, or the use of fuel other than those specified.

NAPOLEON® neither assumes, nor authorizes any third party to assume, on its behalf, or any other liabilities with respect to the sale of this product. NAPOLEON® will not be responsible for: over-firing, inadequate ventilation, insufficient makeup air, or negative air pressures which may or may not be caused by mechanical systems such as exhaust fans, furnaces, clothes dryers, etc.

Any damages to fireplace due to weather, long periods of dampness, condensation, damaging chemicals or cleaners will not be the responsibility of NAPOLEON®.

The bill of sale or copy will be required together with a serial number and a model number when making any warranty claims from your authorized dealer. The warranty registration card must be returned within fourteen days to register the warranty.

NAPOLEON® reserves the right to have its representative inspect any product or part thereof prior to honouring any warranty claim.

ALL SPECIFICATIONS AND DESIGNS ARE SUBJECT TO CHANGE WITHOUT PRIOR NOTICE DUE TO ON-GOING PRODUCT IMPROVEMENTS. NAPOLEON® IS A REGISTERED TRADEMARK OF WOLF STEEL LTD. PATENTS U.S. 5.303.693.801 - CAN. 2.073.411, 2.082.915. © WOLF STEEL LTD.

GENERAL INSTRUCTIONS

THIS GAS FIREPLACE SHOULD BE INSTALLED AND SERVICED BY A QUALIFIED INSTALLER to conform with local codes. Installation practices vary from region to region and it is important to know the specifics that apply to your area.

Installation practices vary from region to region and it is important to know the specifics that apply to your area.

The installation must conform with Local codes or in the absence of local codes, with the National Fuel Gas Code ANSI Z223.1/INFP 54 in the United States or CSA B149.1, Natural and Propane Installation code in Canada.

The fireplace and its individual shutoff valve must be disconnected from the gas supply piping system during any pressure testing of that system at test pressures in excess of 1/2 psig (3.5 kPa). The fireplace must be isolated from the gas supply piping system by closing its individual manual shutoff valve during any pressure testing of the gas supply piping system at test pressures equal to or less than 1/2 psig (3.5 kPa).

When the fireplace is installed directly on combustible material other than wood flooring, the fireplace shall be installed on a metal or wood panel extending the full width and depth.

GENERAL INFORMATION

FOR YOUR SATISFACTION, THIS FIREPLACE HAS BEEN TEST-FIRED TO ASSURE ITS OPERATION AND QUALITY!

Maximum input is 65,000 BTU/hr for natural gas and propane. When the fireplace is installed at elevations above 2,000ft, and in the absence of specific recommendations from the local authority having jurisdiction, the certified high altitude input rating shall be reduced at the rate of 4% for each additional 1,000ft.

ANY CHANGE TO THIS FIREPLACE OR IT'S CONTROLS CAN BE DANGEROUS AND IS PROHIBITED.

It is highly recommended to protect the logs from moisture (rain, snow). Cover the enclosure opening when not in use. This fireplace is only for use with the type of gas indicated on the rating plate. This fireplace is not convertible for use with other gases, unless a certified kit is used.

Minimum inlet gas supply pressure is 4.5 inches water column for natural gas and 11 inches water column for propane. Maximum inlet gas pressure is 7 inches water column for natural gas and 13 inches water column for propane. Manifold pressure under flow conditions is 3.5 inches water column for natural gas and 10 inches water column for propane.

No external electricity (110 volts or 24 volts) is required for the gas system operation.

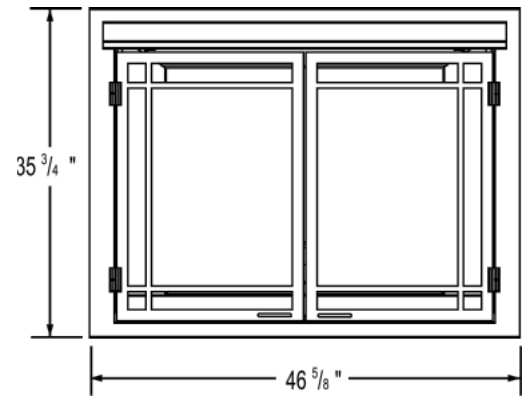
Expansion / contraction noises during heating up and cooling down cycles are normal and are to be expected.

Use only accessories designed for and listed with your specific fireplace.

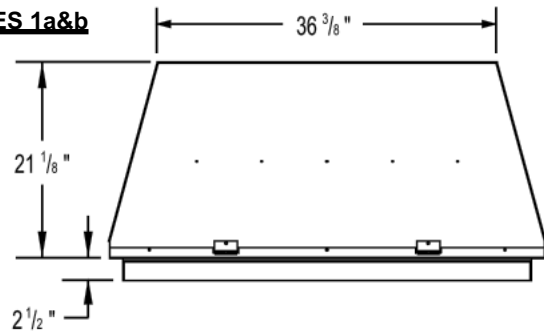


We recommend that our gas hearth products be installed and serviced by professionals who are certified in the U.S. by the National Fireplace Institute® (NFI) as NFI Gas Specialists.

DIMENSIONS



FIGURES 1a&b



INSTALLATION

GAS PIPING

This fireplace must be isolated from the gas supply piping system by closing the individual manual shut off valve during any pressure testing of the gas supply piping system at test pressure equal to or less than 1/2 psi (3.5 kPa)

1. Position the fireplace allowing enough room behind it for the gas line which may enter through one of the five knock-outs.
2. Install the gas line using piping 1/2" diameter or greater to allow the full volume of gas to the fireplace. The gas line installation must be done to local and / or national codes.
3. When using propane, a regulator must be used between the tank and the outside wall of the enclosure to ensure the line pressure does not exceed 14" w.c.
4. Check gas connections with a gas detection device to test for leaks in the system. Soapy water mixture can also be used to check for leaks.

DO NOT USE OPEN FLAME

5. Once all the gas connections are tested for leaks, start the fireplace. Follow the lighting instructions to ensure the fireplace is working properly before finishing.

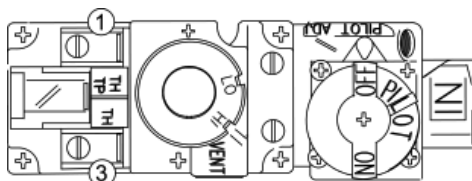
OPTIONAL REMOTE WALL SWITCH

For ease of accessibility, an optional remote wall switch may be installed in a convenient location. Route a 2 strand, solid core millivolt wire through the 7/8" bushings located below the log set, under the gas valve to the 7/8" bushing at the rear of the enclosure. The recommended maximum lead length depends on wire size:

WIRE SIZE	MAX. LENGTH
14gauge	100 feet
16gauge	60 feet
18gauge	40 feet

Attach the two leads to terminals 1 and 3 located on the gas valve.

FIGURE 2

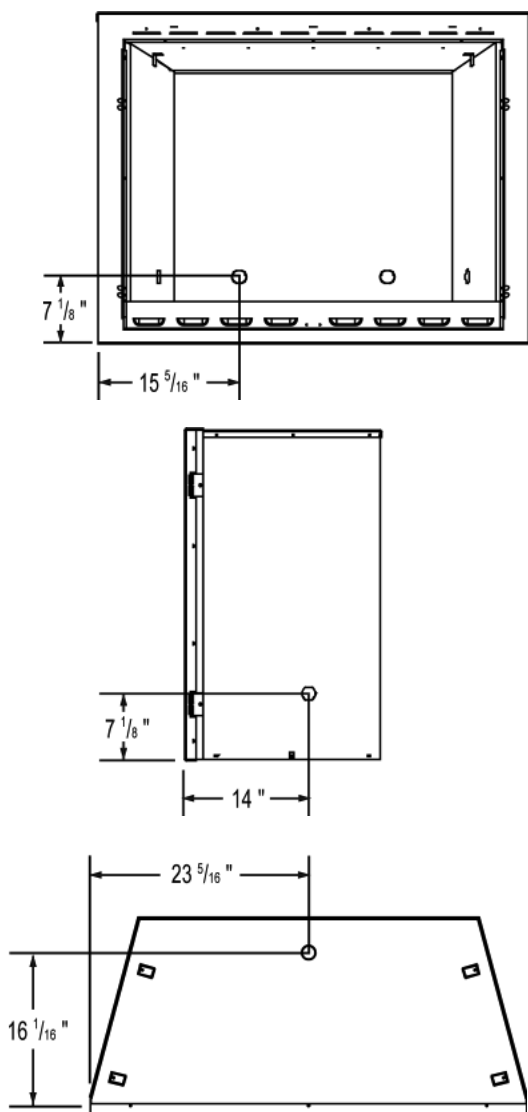


Do not connect either the wall switch, thermostat or gas valve to electricity (110 volts).

GAS INLET LOCATIONS

There are five gas inlet locations on the ventless firebox enclosure. One on each side of the unit, two at the rear, and one on the bottom. Using the following illustrations (FIGURE 3a-c) identify the preferred inlet and remove corresponding knock out.

FIGURES 3a,b & c



FRAMING

It is best to frame your fireplace after it is positioned. Use 2x4's and frame to local building codes. Both the header and the side studs must be constructed from steel.

FIGURE 4a

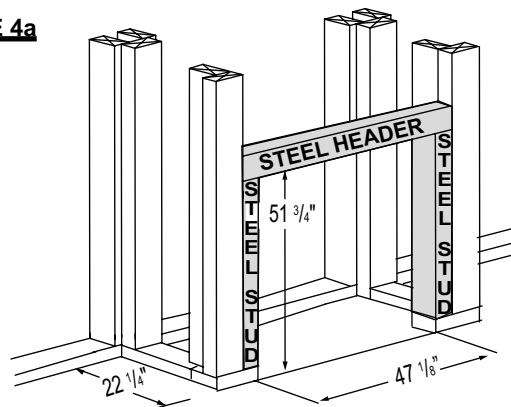


FIGURE 4b

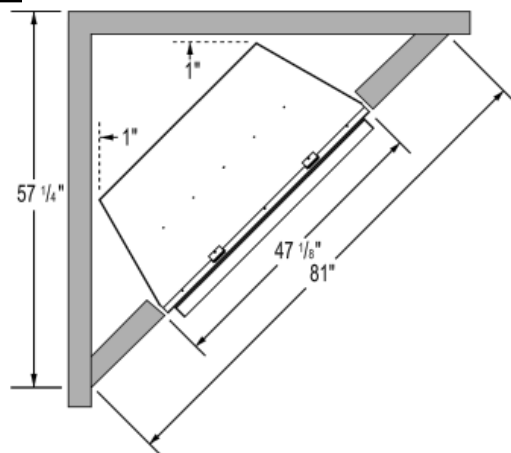
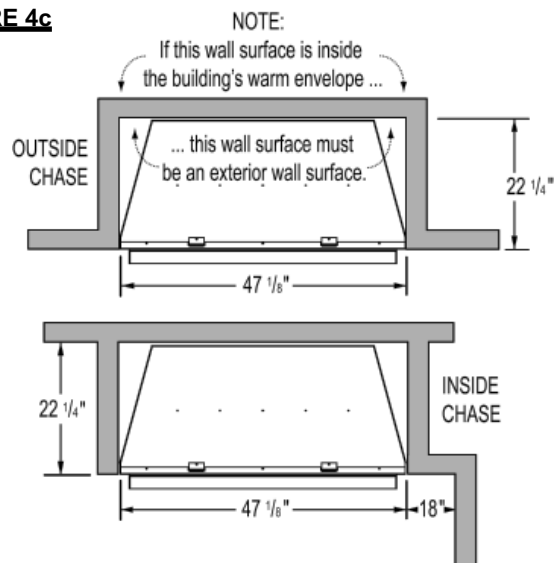


FIGURE 4c



Objects placed in front of the fireplace must be kept a minimum of 4 feet away from the front face. It is not necessary to install a hearth extension with this fireplace system.

MINIMUM CLEARANCE TO COMBUSTIBLES

MAINTAIN THESE MINIMUM CLEARANCES TO COMBUSTIBLES:

Fireplace framing:

- 0" to stand-offs (rear and sides only)
- Use a steel header for the top and two steel studs on the sides.

Non- Combustible Fireplace finishing:

- Front
- 4" to sides of fireplace opening
 - 18" to top of fireplace
 - Non-combustible finishing material (ie. cement board, brick, stone, tile) may be used to finish the front of the unit.

Combustible Fireplace finishing:

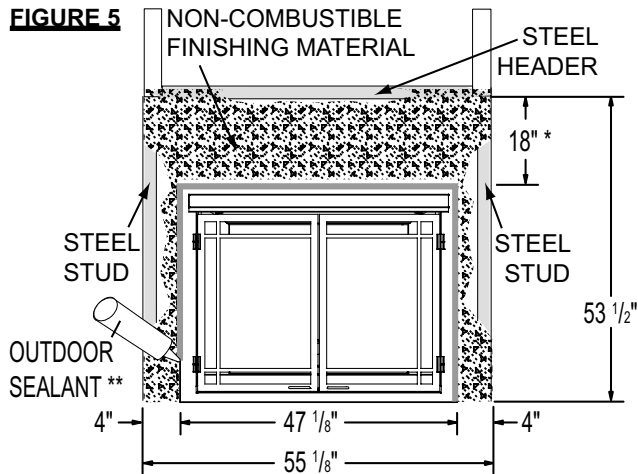
- 1" to sides and back
- 22 1/4" recessed depth
- 58 1/2" from bottom of unit to enclosure top
- 84" from bottom of unit to ceiling

It is recommended that the walls of the fireplace enclosure be finished. This would ensure that clearance to combustibles is maintained within the cavity.

NOTE: If installing a propane fireplace the propane cylinder must always be on the exterior of such a structure.

WARNING:

Use only non-combustible finishing material (ie. cement board, brick, stone, tile). Do not use wood or drywall.



*From top of unit.

** An outdoor sealant must be used along the edge of the fireplace and the non-combustible material to keep water from entering the chase.

MINIMUM MANTEL CLEARANCES

All mantels must be made from non-combustible material.

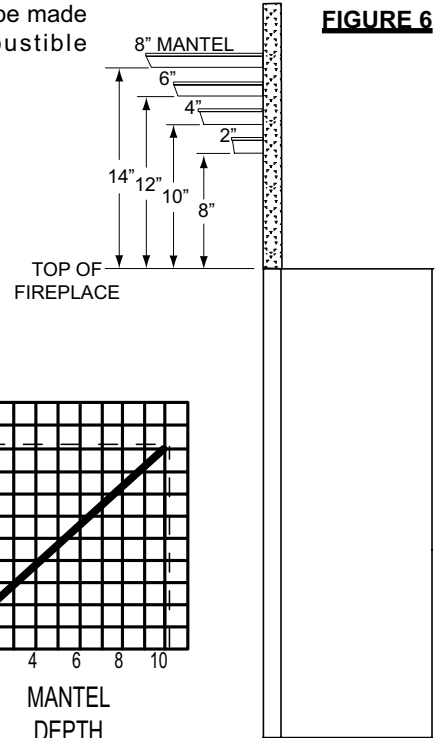
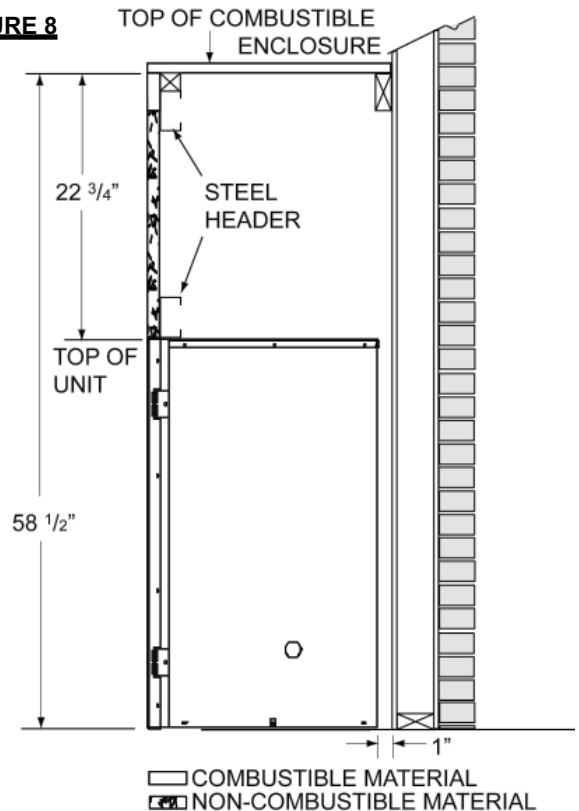


FIGURE 7

NOTE: Mantel temperatures will rise above normal temperatures and may be hot to the touch.

FIGURE 8



For temperature requirements, the enclosure space around and above the fireplace must be left unobstructed.

COMBUSTION AND VENTILATION AIR

This fireplace is intended for installation on an outdoor patio or in your yard. It must never be installed inside the warm air envelope of your structure.

It is highly recommended that this fireplace be installed in a "sheltered" area. Direct wind will cause an erratic flame and possible pilot or main burner outage.

An erratic flame could also lead to excessive carboning (black soot), this condition is not a safety issue but is visually undesirable.

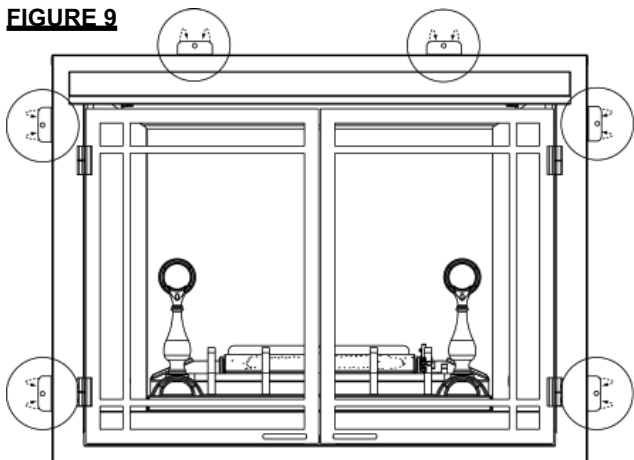
Typical installation may include covered patio, screened porch, gazebo or an outside the wall of a house.

NOTE: Ensure the area has adequate ventilation.

NAILING TAB INSTALLATION

To install the fireplace face flush with the finished surface, position the framework to accommodate the thickness of the finished surface. Bend out the six nailing tabs, attached on top and on either side of the fireplace and secure to the 2x4 framing. The tabs will facilitate the installation of either a $\frac{1}{2}$ " or $\frac{3}{4}$ " finished surface thickness.

FIGURE 9



FINISHING

ANDIRON AND GRATE ASSEMBLY

1. With the 2 andirons laying face down, secure the grate overtop using 2 of the 1" hex head screws (supplied in the manual baggie).

2. Install the grate/andiron assembly to the burner base using 4 x 1" hex head screws (supplied in the manual baggie).

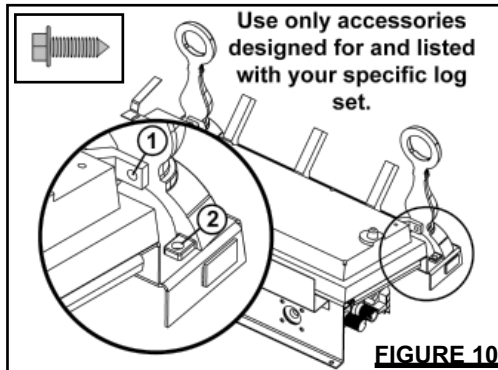
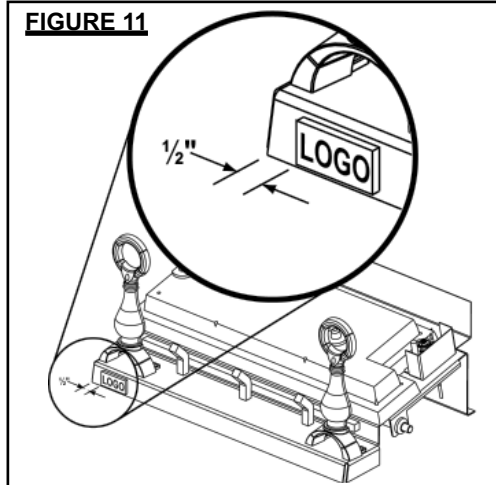


FIGURE 10

LOGO PLACEMENT

Remove the backing of the logo supplied. Centre the logo on the front of the fireplace, $\frac{1}{2}$ " in from the left side, as shown.



LOG PLACEMENT

PHAZER™ logs, exclusive to Napoleon® Fireplaces, provide a unique and realistic glowing effect that is different in every installation.

Failure to follow these log placement instructions may cause sooting.

1. Place the rear log #1 onto the locating pins along the back edge of the burner.

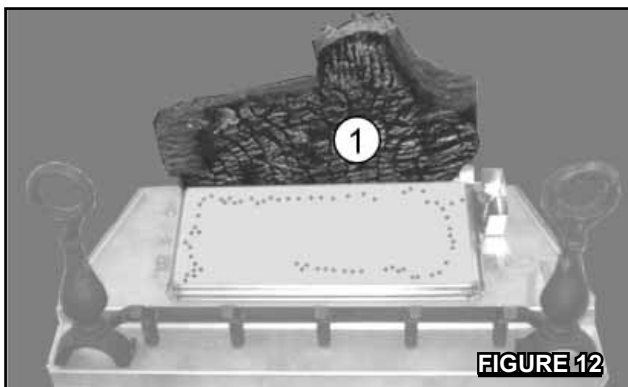


FIGURE 12

2. Position log #2 onto the locator pins on the burner. Ensure the port cavity on the underside of the log is positioned such that it runs over the ports allowing them to be exposed.

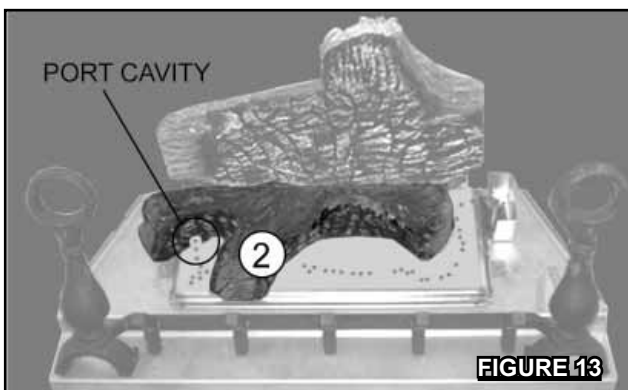


FIGURE 13

3. Place the end of log #3 on the right side of the knot of log #1. The "Y" in the log should straddle the knot on top of log #2.

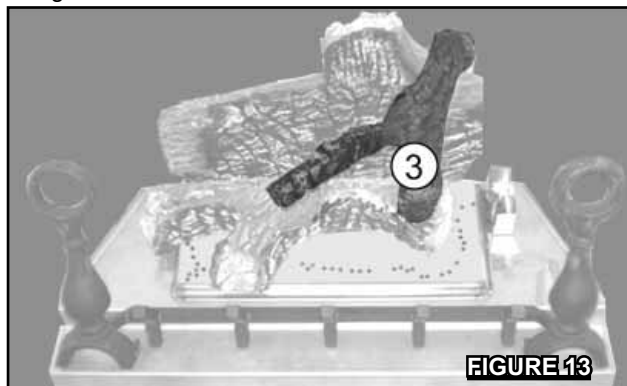


FIGURE 13

4. Place locating pin in the end of log #4 into the hole in log #2. Place the locating pin on the underside of the "Y" in log #4 into the hole in log #1.

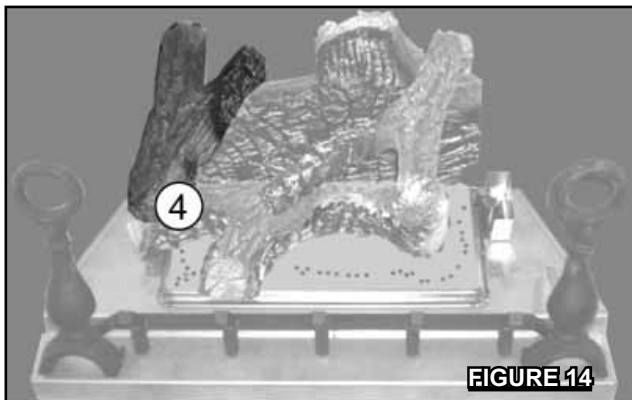


FIGURE 14

5. Position the slot in the bottom of log #5 onto the bracket beside the burner on the right, and against the back side of the andiron with the charred face of the log to the front.

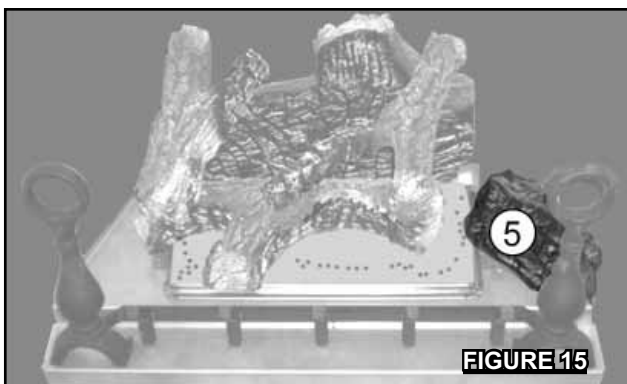


FIGURE 15

Log colours may vary. During the initial use of the fireplace, the colours will become more uniform as colour pigments burn in during the heat activated curing process.

WARNING

Positioning the logs improperly will cause flame impingement and carboning.

Blocked burner ports can cause an incorrect flame pattern, carbon deposits and delayed ignition. PHAZER™ logs glow when exposed to direct flame.

Use only certified PHAZER™ logs available from your Napoleon® dealer.

Barriers such as the bottom of a glass door frame placed in front of a gas log set can change the air flow characteristics of the fireplace which in turn can cause the unit to carbon or overheat and malfunction.

GLOWING EMBERS

Glowing embers (not supplied) may be used to enhance the flame's appearance.

CHARCOAL LUMPS / LAVA ROCK

1. Place lava rock around the base of the fireplace, making sure not to block any burner ports or valve access. Retain a small amount of lava rock for step 3.
2. Place formed charcoal lumps around the front and sides of the unit.
3. Use remaining lava rock to blend with the charcoal lumps.



FIGURE 16

HOOD INSTALL

WARNING: DO NOT OPERATE WITHOUT HOOD IN PLACE. The fireplace hood must not be modified or replaced with another hood.

NOTE: Remove the hood from the inside of the unit by cutting the strap holding it in place.

1. Line the 3 tabs on the back of the hood up with the 3 slots in the fireplace front.
2. Tilt the hood to insert the tabs into the slots and allow the hood to come forward and rest against the firebox.

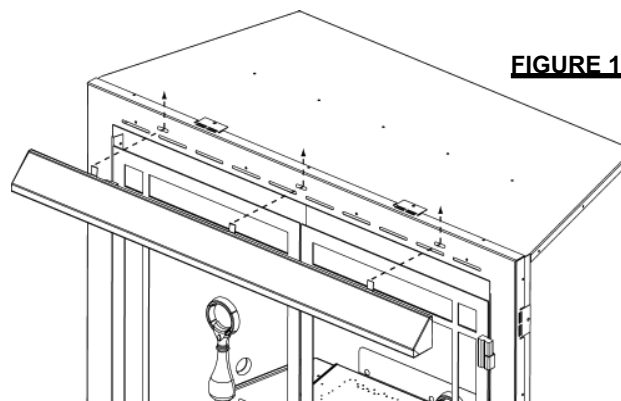
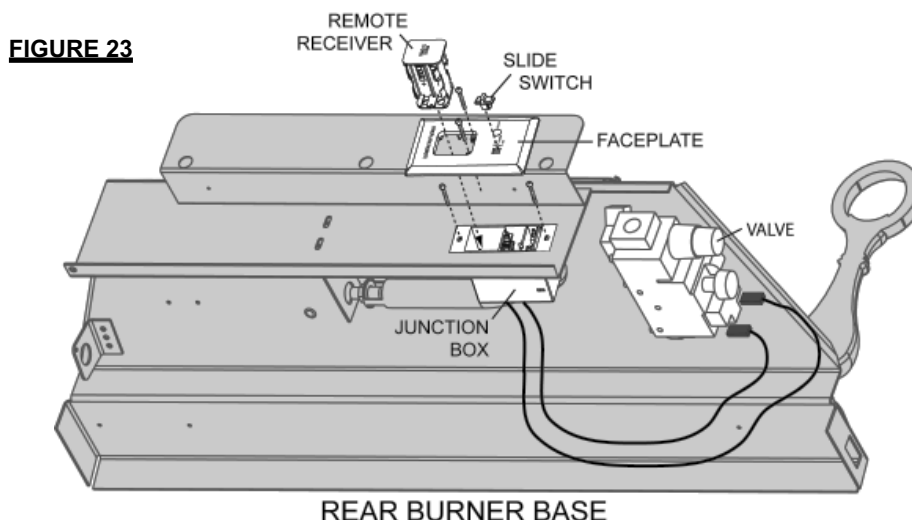


FIGURE 17

(OPTIONAL) REMOTE INSTALLATION

1. Slide the junction box into the hole located at the rear of the burner base. Secure using two of the screws provided.
2. Secure the faceplate to the junction box with two of the screws provided.
3. Insert the remote receiver (with batteries installed) through the opening in the faceplate and into the junction box. The remote receiver is secured and released with a catch mechanism, push the receiver into the catch to secure.
4. Insert the slide switch into its marked position on the faceplate.
5. Replace the existing switch wires connected to the terminals on the valve marked TH/TP and TH with those running from the junction box.

NOTE: The remote switch on the side of the unit is no longer operational.



RATING PLATE

The rating plate and lighting instructions are strapped to the piezo igniter bracket and are commonly tucked under the entire assembly.

GSS42 RATING PLATE

FIGURE 24

CERTIFIED UNDER / HOMOLOGUÉ SELON LES NORMES: CR97-003, CAN-2.21-M85, IAS US 4-96 OUTDOOR GAS FIREPLACE / FOYER AU GAZ EXTÉRIEUR.

IF APPLIANCE HAS BEEN SUPPLIED WITH A GAS PRESSURE REGULATOR, IT MUST BE USED. THE GAS SUPPLY MUST BE TURNED OFF AT THE LP-GAS SUPPLY CYLINDER WHEN THIS APPLIANCE IS NOT IN USE. DO NOT STORE OR USE GASOLINE OR OTHER FLAMMABLE VAPOURS AND LIQUIDS IN THE VICINITY OF THIS OR ANY OTHER APPLIANCE. IMPROPER INSTALLATION, ADJUSTMENT, ALTERATION, SERVICE OR MAINTENANCE CAN CAUSE INJURY OR PROPERTY DAMAGE. REFER TO THE OWNER'S MANUAL PROVIDED WITH THIS APPLIANCE, FOR ASSISTANCE OR ADDITIONAL INFORMATION. CONSULT A QUALIFIED INSTALLER, SERVICE AGENCY OR GAS SUPPLIER, MUST NOT BE USED FOR COOKING. FOR OUTDOOR USE ONLY. IF STORED INDOORS, DETACH AND LEAVE CYLINDER OUTDOORS.

SI L'APPAREIL EST ÉQUIPÉ D'UN RÉGULATEUR DE PRESSION D'ALIMENTATION, IL DOIT ÊTRE UTILISÉ, LORSQUE CET APPAREIL N'EST PAS UTILISÉ, VOUS DEVEZ FERMER L'ALIMENTATION EN GAZ SUR LA BONBONNE DE PROPANE. N'ENTREPOSEZ PAS ET N'UTILISEZ PAS D'ESSENCE OU AUTRES LIQUIDES ET VAPEURS INFLAMMABLES À PROXIMITÉ DE CET APPAREIL OU TOUT AUTRE APPAREIL. UNE INSTALLATION NON CONFORME, DES AJUSTEMENTS, DES ALTÉRATIONS, UN SERVICE OU UN ENTRETIEN INADÉQUATS PEUVENT CAUSER DES DOMMAGES À LA PROPRIÉTÉ OU DES BLESSURES CORPORELLES. RÉFÉREZ-VOUS AU MANUEL D'INSTRUCTIONS FOURNI AVEC CET APPAREIL. POUR DE L'ASSISTANCE OU POUR PLUS D'INFORMATION, CONSULTEZ UN INSTALLATEUR QUALIFIÉ, UNE AGENCE D'ENTRETIEN OU LE FOURNISSEUR DE GAZ, NE PAS UTILISER POUR LA CUISSON. POUR USAGE EXTÉRIEUR SEULEMENT, SI ENTREPOSÉ À L'INTÉRIEUR, DÉTACHER LA BONBONNE DE PROPANE ET LA LAISSER À L'EXTÉRIEUR.

<p>MODEL NATURAL</p> <p><input type="checkbox"/> GSS42N</p> <p>0-4500 FT (0-1370m) 65,000 BTU/h 40,000 BTU/h #20</p> <p>MANIFOLD PRESSURE: 3.5" WATER COLUMN PRESSION AU COLLECTEUR: 3.5" D'UNE COLONNE D'EAU MINIMUM SUPPLY PRESSURE: 4.5" WATER COLUMN PRESSION D'ALIMENTATION MINIMALE: 4.5" D'UNE COLONNE D'EAU MAXIMUM SUPPLY PRESSURE: 7.0" WATER COLUMN PRESSION D'ALIMENTATION MAXIMALE: 7.0" D'UNE COLONNE D'EAU</p>	<p>REFERENCE # W/IN 15905</p> <p>CERTIFIED FOR CANADA AND US CERTIFIÉE POUR ET</p> <p>ALTITUDE / ÉLÉVATION INPUT / ALIMENTATION REDUCED INPUT / ALIMENTATION RÉDUITE ORIFICE / INJECTEUR</p>	<p>MODEL PROPANE</p> <p><input type="checkbox"/> GSS42P</p> <p>0-4500 FT (0-1370m) 65,000 BTU/h 50,000 BTU/h #42</p> <p>MANIFOLD PRESSURE: 10" WATER COLUMN PRESSION AU COLLECTEUR: 10" D'UNE COLONNE D'EAU MINIMUM SUPPLY PRESSURE: 11" WATER COLUMN PRESSION D'ALIMENTATION MINIMALE: 11" D'UNE COLONNE D'EAU MAXIMUM SUPPLY PRESSURE: 13" WATER COLUMN PRESSION D'ALIMENTATION MAXIMALE: 13" D'UNE COLONNE D'EAU</p>
--	--	--

NOT FOR USE WITH SOLID FUEL.

WARNING: THIS FIREPLACE USES AND REQUIRES A FAST ACTING THERMOCOUPLE. REPLACE ONLY WITH A FAST ACTING THERMOCOUPLE SUPPLIED BY WOLF STEEL LTD. DO NOT ADD ANY MATERIAL TO THE APPLIANCE, WHICH WILL COME IN CONTACT WITH THE FLAMES, OTHER THAN THAT SUPPLIED BY THE MANUFACTURER WITH THE APPLIANCE.

MINIMUM CLEARANCE TO COMBUSTIBLE MATERIALS:			
TOP	18"	BACK	1"
FLOOR	0"	MANTLE	NON-COMBUSTIBLE
SIDES	1"		

SEE INSTALLATION INSTRUCTIONS FOR FRAMING CLEARANCES.

MADE IN CANADA / FABRIQUÉ AU CANADA

WOLF STEEL LTD, BARRIE, ON, CANADA

UN COMBUSTIBLE SOLIDE NE DOIT PAS ÊTRE UTILISÉ AVEC CET APPAREIL.

AVERTISSEMENT: CE FOYER UTILISE ET REQUIERT UN THERMOCOUPLE À ACTION RAPIDE. REMPLACEZ UNIQUEMENT AVEC UN THERMOCOUPLE À ACTION RAPIDE DE WOLF STEEL LTDÉE. N'AJOUTEZ PAS À CET APPAREIL AUCUN MATÉRIAU DEVANT ENTRER EN CONTACT AVEC LES FLAMMES AUTRE QUE CELUI QUI EST FOURNI AVEC CET APPAREIL PAR LE FABRICANT.

DÉGAGEMENTS MINIMAUX DES MATÉRIEAUX COMBUSTIBLES:			
DESSUS	18"	ARRIÈRE	1"
PLANCHER	0"	MANTEAU	INCOMBUSTIBLE
CÔTÉS	1"		

POUR LES DÉGAGEMENTS AUX MATÉRIEAUX D'OSSATURE, VOIR LE MANUEL D'INSTRUCTIONS.

SERIAL NUMBER/NO. DE SÉRIE: **GSS42**

W385-0376

OPERATION / MAINTENANCE

If the fireplace keeps shutting off, have it serviced. Keep burner and control compartment clean.

When lit for the first time, the fireplace will emit a slight odour for a few hours. This is a normal temporary condition caused by the curing of the logs and the "burn-in" of internal paints and lubricants used in the manufacturing process and will not occur again.

FOR YOUR SAFETY READ BEFORE LIGHTING:

A. This fireplace is equipped with a pilot which must be lit by hand while following these instructions exactly.

B. Before operating smell all around the fireplace area for gas and next to the floor because some gas is heavier than air and will settle on the floor.

C. Use only your hand to turn the gas control knob / manual shut-off knob. Never use tools. If the knob will not turn by hand, do not try to repair it. Call a qualified service technician. Force or attempted repair may result in a fire or explosion.

D. Do not use this fireplace if any part has been under water. Immediately call a qualified service technician to inspect the fireplace and replace any part of the control system and any gas control which has been under water.

WHAT TO DO IF YOU SMELL GAS:

- Do not use a mobile or land phone.
- If you cannot reach your gas supplier, call the fire department.
- Turn off all gas to the fireplace.
- Do not try to light any fireplace.
- Immediately call your gas supplier from a neighbour's phone. Follow the gas supplier's instructions.

MAINTENANCE

CAUTION: Label all wires prior to disconnection when servicing controls. Wiring errors can cause improper and dangerous operation. Verify proper operation after servicing. This fireplace should be inspected and serviced before use and at least annually by a qualified service person. The fireplace area must be kept clear and free of combustible materials, gasoline or other flammable vapours and liquids. The flow of combustion and ventilation air must not be obstructed.

1. Keep the control compartment, logs, burner, air shutter opening and the area surrounding the logs clean by vacuuming or brushing, at least once a year.
2. Check to see that all burner ports are burning. Clean out any of the ports which may not be burning or are not burning properly.
3. Check to see that the pilot flame is large enough to engulf the thermocouple and thermopile and promptly ignites the main burner.
4. Check to see that the main burner ignites completely on all openings when the gas knob for the burner is turned on. A 5 to 10 second total light-up period is satisfactory. If ignition takes longer, consult your NAPOLEON® dealer / distributor.

CLEANING

- Visually inspect the fireplace for carbon buildup.
- Using a small wisk or brush, brush off the excess carbon and vacuum up or sweep into the garbage.
- Check the fireplace for broken logs and corrosion of the main burner base.



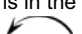
Cleaning Stainless Steel: Do not use abrasive cleaners to clean any painted, porcelain or stainless steel parts. To clean stainless surfaces, use a stainless steel cleaner or a non-abrasive cleaner. Always wipe in the direction of the grain. Do not use steel wool, as it will scratch the finish. Stainless steel parts will discolour when heated, usually to a golden or brown colour. This discolouration is normal and will not affect the performance of the fireplace.

After extended periods of non-operation such as following a vacation or a warm weather season, the fireplace may emit a slight odour for a few hours. This is caused by dust particles burning off.


Always shut off the fireplace, gas to the fireplace and allow the fireplace to cool before servicing it.

LIGHTING INSTRUCTIONS

When lighting and re-lighting, the gas knob cannot be turned from pilot to off unless the knob is depressed.

1. **Stop!** Read the safety information on the operating label.
2. Turn the gas knob clockwise  to off.
3. Wait five (5) minutes to clear out any gas. If you smell gas including near the floor, **stop!** Follow "b" on the operating label. If you don't smell gas go to the next step.
4. If fireplace is equipped with flame adjustment valve turn  clockwise to off.
5. Locate the pilot burner at the rear of the log set on the right side.
6. Turn the gas control knob to the pilot setting (on the left side of the fireplace closest to the back.)
7. With the control knob depressed, push the piezo igniter repeatedly until the pilot lights. Hold the control knob for approximately 1 minute and release. If the pilot goes out, repeat steps 2 through 6.
8. Once the pilot stays burning, make certain that the on / off switch is in the off position. Turn the control knob counter-clockwise  to the on position.
9. Turn the on / off switch to the on position to ignite the burner.
10. If equipped with flame adjustment valve, push and turn knob to high.

TO TURN OFF GAS

- Push in gas control knob slightly and turn clockwise  to off. Do not force.

VENTURI ADJUSTMENT

Air shutter adjustment must only be done by a qualified gas installer!

Closing the air shutter will cause a more yellow flame, but can lead to carboning. Opening the air shutter will cause a more blue flame, but can cause flame lifting from the burner ports. The flame may not appear yellow immediately; allow 15 to 30 minutes for the final flame colour to be established.

Opening the air shutter will also reduce exhaust odours. See *Trouble Shooting Guide*.

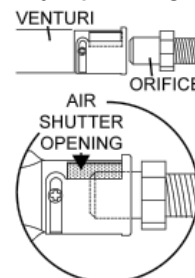


FIGURE 25

AIR SHUTTER	
NG	1/8"
LP	1/4"

REPLACEMENTS

Contact your dealer for questions concerning prices and policies on replacement parts. Normally all parts can be ordered through your NAPOLEON® dealer or distributor.

When ordering replacement parts always give the following information:

1. MODEL & SERIAL NUMBER OF FIREPLACE
2. INSTALLATION DATE OF FIREPLACE
3. PART NUMBER
4. DESCRIPTION OF PART
5. FINISH

FOR WARRANTY REPLACEMENT PARTS, A PHOTOCOPY OF THE ORIGINAL INVOICE WILL BE REQUIRED TO HONOUR THE CLAIM.

REPLACEMENT PARTS

#	PART NO.	DESCRIPTION
1	W357-0001	PIEZO IGNITER AND NUT
2	W680-0015	THERMOPILE
3	W680-0014 **	THERMOCOUPLE
4	W010-1194	NATURAL GAS PILOT ASSEMBLY
4	W010-1201	PROPANE GAS PILOT ASSEMBLY
5	W455-0070	NATURAL GAS PILOT INJECTOR
5	W455-0068	PROPANE GAS PILOT INJECTOR
6	W725-0028	NATURAL GAS VALVE
6	W725-0029	PROPANE GAS VALVE
7*	W750-0188	WIRE, HARNESS
8*	W455-0089	ORIFICE NATURAL (#20)
8*	W455-0017	ORIFICE PROPANE (#42)
9*	W660-0009	ON / OFF SWITCH
10	W010-1739	BURNER, PAN ASSEMBLY
11*	W240-0005	ELECTRODE, LEAD
12*	W385-0334	NAPOLEON® LOGO
13	W335-0048	HOOD
14	W330-0060	HINGE, FEMALE
15	W330-0059	HINGE, FEMALE
16	W330-0062	HINGE, MALE
17*	W325-0028	DOOR HANDLE
18	W300-0093	GLASS
19*	W010-1747	ASSY, MAGNET BRACKET
20	GL-644	LOG SET
21	W135-0205	REAR LOG (#1)
22	W135-0206	MIDDLE LOG (#2)
23	W135-0207	RIGHT LOG (#3)
24	W135-0208	LEFT LOG (#4)
25	W135-0218	CROSSOVER LOG (#5)
26	W185-0023	GRATE
27	W715-0629	ANDIRONS
28*	W550-0006	LAVA ROCK
29*	W550-0002	CHARCOAL LUMPS

* IDENTIFIES ITEMS WHICH ARE NOT ILLUSTRATED. FOR FURTHER INFORMATION, CONTACT YOUR NAPOLEON® DEALER.

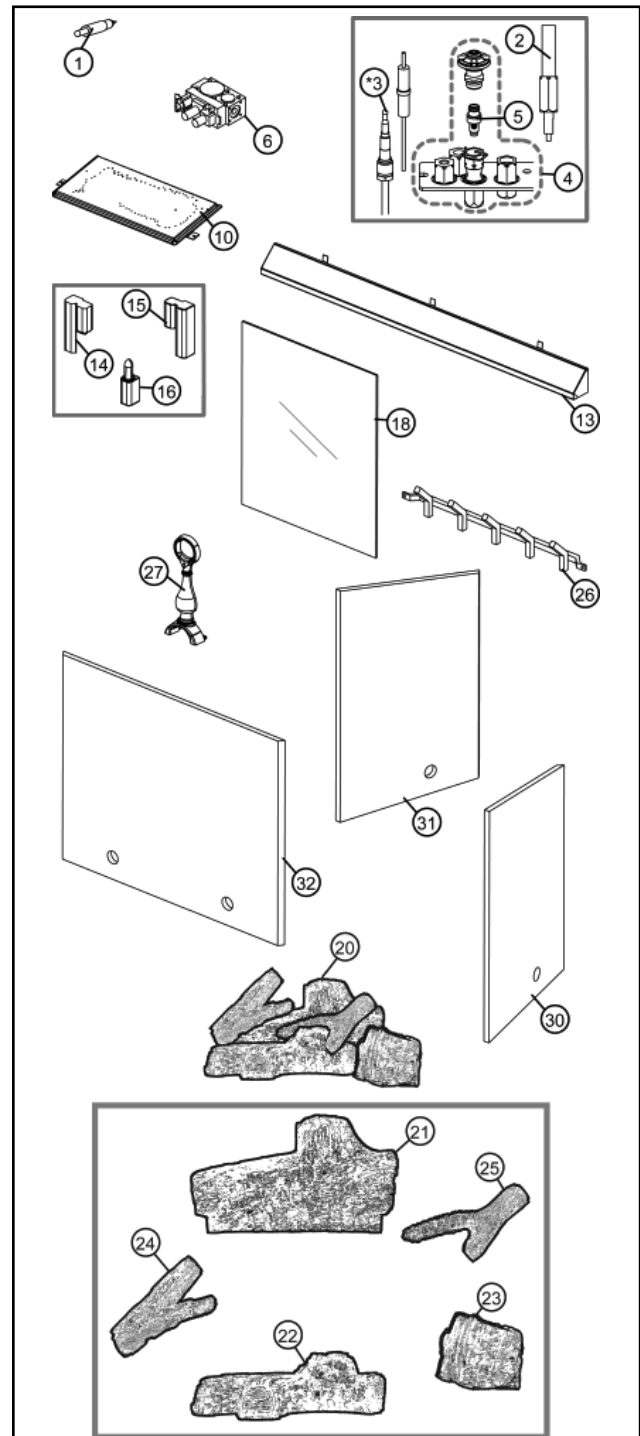
** **WARNING:** This is a fast acting thermocouple. It is an integral safety component. Replace only with a fast acting thermocouple supplied by Wolf Steel Ltd.

ACCESSORIES

#	PART NO.	DESCRIPTION
30	W475-0551	PANEL, RIGHT CONCRETE
31	W475-0552	PANEL, LEFT CONCRETE
32	W475-0553	PANEL, REAR CONCRETE
33*	W361-0016	GLOWING EMBERS
34*	W660-0010B	REMOTE CONTROL

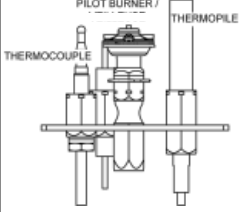
NOTE: Care must be taken when removing and disposing of any broken glass or damaged components. Be sure to vacuum up any broken glass from inside the fireplace before operation.

WARNING: Failure to position the parts in accordance with these diagrams or failure to use only parts specifically approved with this fireplace may result in property damage or personal injury.



TROUBLE SHOOTING GUIDE

BEFORE ATTEMPTING TO TROUBLESHOOT, PURGE YOUR UNIT AND INITIALLY LIGHT THE PILOT AND THE MAIN BURNER WITH THE GLASS DOOR OPEN.

SYMPTOM	PROBLEM	TEST SOLUTION	
Main burner goes out; pilot stays on.	<i>Pilot flame is not large enough or not engulfing the thermopile.</i>	<ul style="list-style-type: none"> - Turn up the pilot flame. - Replace pilot assembly. 	
	<i>Thermopile shorting</i>	<ul style="list-style-type: none"> - Clean thermopile connection to the valve. Reconnect. - Replace the thermopile / valve. 	
	<i>Faulty thermostat or switch.</i>	<ul style="list-style-type: none"> - Replace. 	
Pilot goes out when the gas knob is released. (The gas valve has an interlock device which will not allow the pilot burner to be lit until the thermocouple has cooled. Allow approximately 60 seconds for the thermocouple to cool.)	<i>System is not correctly purged.</i>	<ul style="list-style-type: none"> - Purge the gas line. 	
	<i>Out of propane gas.</i>	<ul style="list-style-type: none"> - Fill the tank. 	
	<i>Pilot flame is not large enough.</i>	<ul style="list-style-type: none"> - Turn up the pilot flame. 	
	<i>Pilot flame is not engulfing the thermocouple.</i>	<ul style="list-style-type: none"> - Gently twist the pilot head to improve the flame pattern around the thermocouple. 	
	<i>Thermocouple shorting / faulty.</i>	<ul style="list-style-type: none"> - Loosen and tighten the thermocouple. - Clean the thermocouple and valve connection. - Replace the thermocouple. - Replace the valve. 	
Pilot will not light.		<i>No spark at pilot burner.</i>	<ul style="list-style-type: none"> - Check if pilot can be lit by a match. - Check that the wire is connected to the push button ignitor. - Check if the push button ignitor needs tightening. - Replace the wire if the wire insulation is broken or frayed. - Replace the electrode if the ceramic insulator is cracked or broken. - Replace the push button ignitor.
		<i>Out of propane gas.</i>	<ul style="list-style-type: none"> - Fill the tank.
		<i>Spark gap is incorrect.</i>	<ul style="list-style-type: none"> - Spark gap should be 0.150" to 0.175" (5/32" to 11/64" approx.) from the electrode tip and the pilot burner. To ensure proper electrode location, tighten the securing nut. (finger tight plus 1/4 turn)
		<i>No gas at the pilot burner.</i>	<ul style="list-style-type: none"> - Check that the manual valve is turned on. - Check the pilot orifice for blockage. - Replace the valve. - Call the gas distributor.
Pilot goes out while standing; Main burner is in "OFF" position.	<i>Gas piping is undersized.</i>	<ul style="list-style-type: none"> - Turn on all gas fireplaces and see if pilot flame flutters, diminishes or extinguishes, especially when main burner ignites. Monitor fireplace supply working pressure. - Check if supply piping size is to code. Correct all undersized piping. 	
	<i>High wind.</i>	<ul style="list-style-type: none"> - Unit has been exposed to a high wind condition. A "sheltered" area is recommended for the installation location. - Close the mesh screen. 	
Flame area consistently too large or too small. Carboning occurs.	<i>Unit is over-fired or under-fired.</i>	<ul style="list-style-type: none"> - Check pressure readings: <ul style="list-style-type: none"> - Inlet pressure can be checked by turning screw (A) counter-clockwise 2 or 3 turns and then placing pressure gauge tubing over the test point. Gauge should read 7" (minimum 4.5") water column for natural gas or 13" (11" minimum) water column for propane. Check that main burner is operating on "HI". - Outlet pressure can be checked the same as above using screw (B). Gauge should read 3.5" water column for natural gas or 10" water column for propane. Check that main burner is operating on "HI". - AFTER TAKING PRESSURE READINGS, BE SURE TO TURN SCREWS CLOCKWISE FIRMLY TO RESEAL. DO NOT OVER TORQUE. - Leak test with a soap and water solution. 	
Carbon is being deposited on glass, logs or combustion chamber surfaces.	<i>Air shutter has become blocked.</i>	<ul style="list-style-type: none"> - Ensure air shutter opening is free of lint or other obstructions. 	
	<i>Flame is impinging on the logs or combustion chamber.</i>	<ul style="list-style-type: none"> - Check that the logs are correctly positioned - Open air shutter to increase the primary air. - Check the input rate: check the manifold pressure and orifice size as specified by the rating plate values. - Close mesh screens 	

