

21TRV GSR2

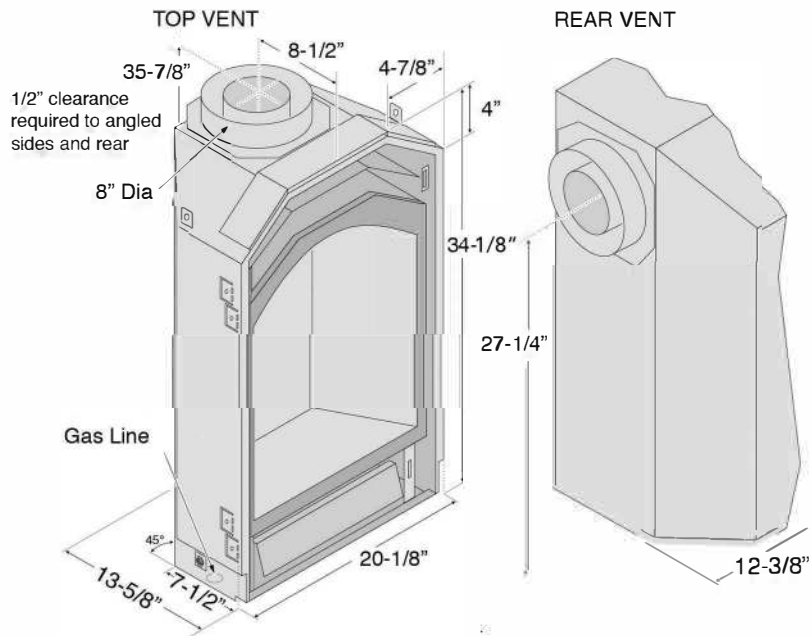
Framing With Barrier Screen Guide



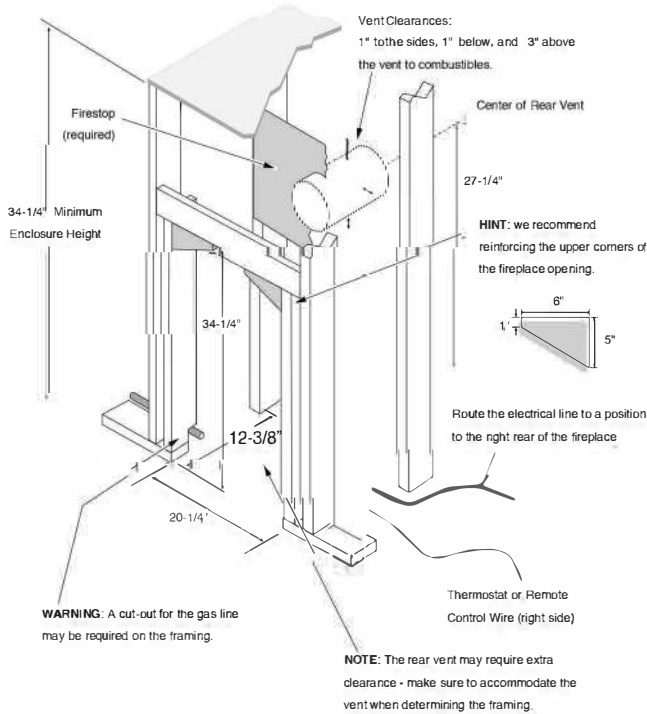
TRAVIS INDUSTRIES
HOUSE OF FIRE

12521 HARBOUR REACH DRIVE
MUKILTEO, WA 98275-5458

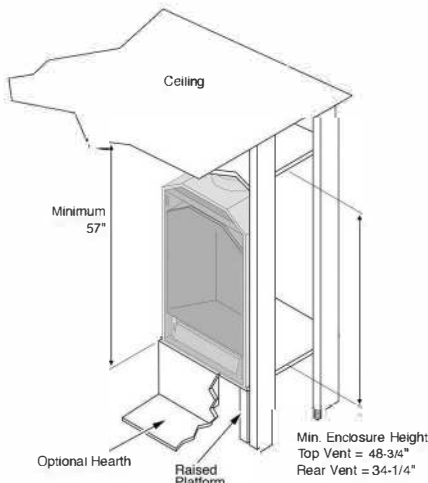
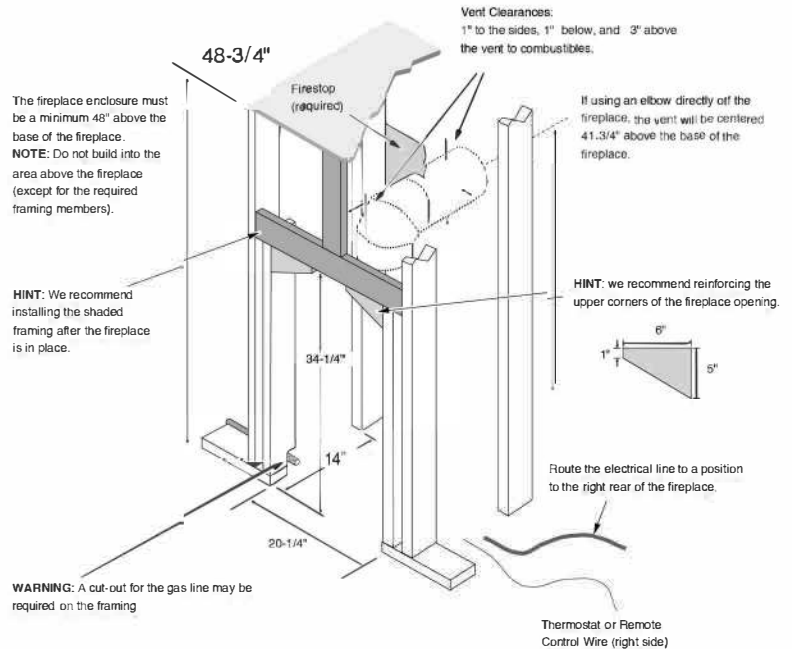
18 100001



Minimum Framing Dimensions - Rear Vent Configuration

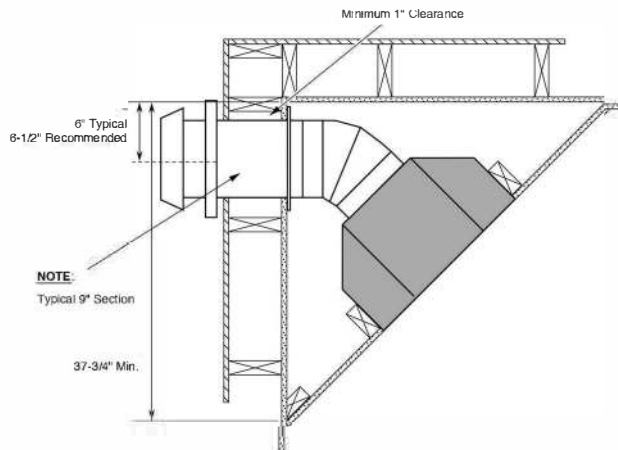


Minimum Framing Dimensions - Top Vent Configuration



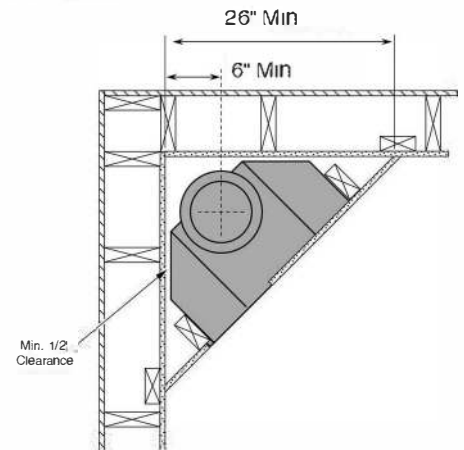
Corner Installations - Rear Vent Configuration

Typical 45° installation



Corner Installations - Top Vent Configuration

Typical 45° installation



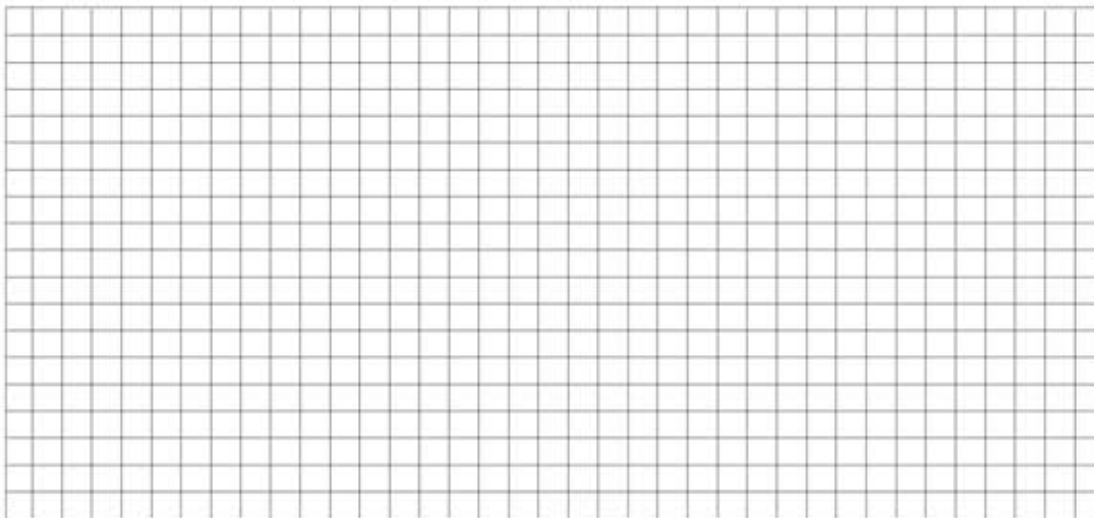
Gas Fireplace Installation Worksheet

There are many variables to consider in determining what product is the best fit for your home. Print out and fill in the appropriate worksheet and bring it in when you visit your local dealer. This worksheet will help your dealer better understand your installation requirements so that you get the best hearth product based on your home layout and heating requirements.

About Fireplace

Fireplaces (a.k.a. zero clearance fireplaces) are typically installed during the construction of a new home or as part of a remodel project. As opposed to an insert, the housing (or firebox) of a fireplace is composed of an inner and outer metal shell. The term "zero clearance" refers to the fact that the framing (studs and subfloor) can come directly in contact with the firebox; no clearance is required, allowing lots of installation flexibility.

1. What purpose will the fireplace fill?
a) Zonal or Supplemental Heating OR Whole Home Heating
2. What room or rooms (determine square footage) will the fireplace be used to heat? _____ sq. ft.
3. Do you have natural gas or propane ?
4. Is the fireplace being installed in new construction or in a remodel ?
5. Are you replacing an existing fireplace with a new fireplace YES NO ?
6. On the grid below please sketch-out your house floor plan and approximately where your fireplace will be installed.



7. Is the house a single story , two story or three story home?
8. How high is the ceiling in which the fireplace is to be installed? _____ ft.
8. Is the fireplace going into a basement ? YES NO
9. For remodels or fireplace replacements, it would be helpful if you could bring in photos of the room the fireplace will be installed in and a picture of your existing roof line.